



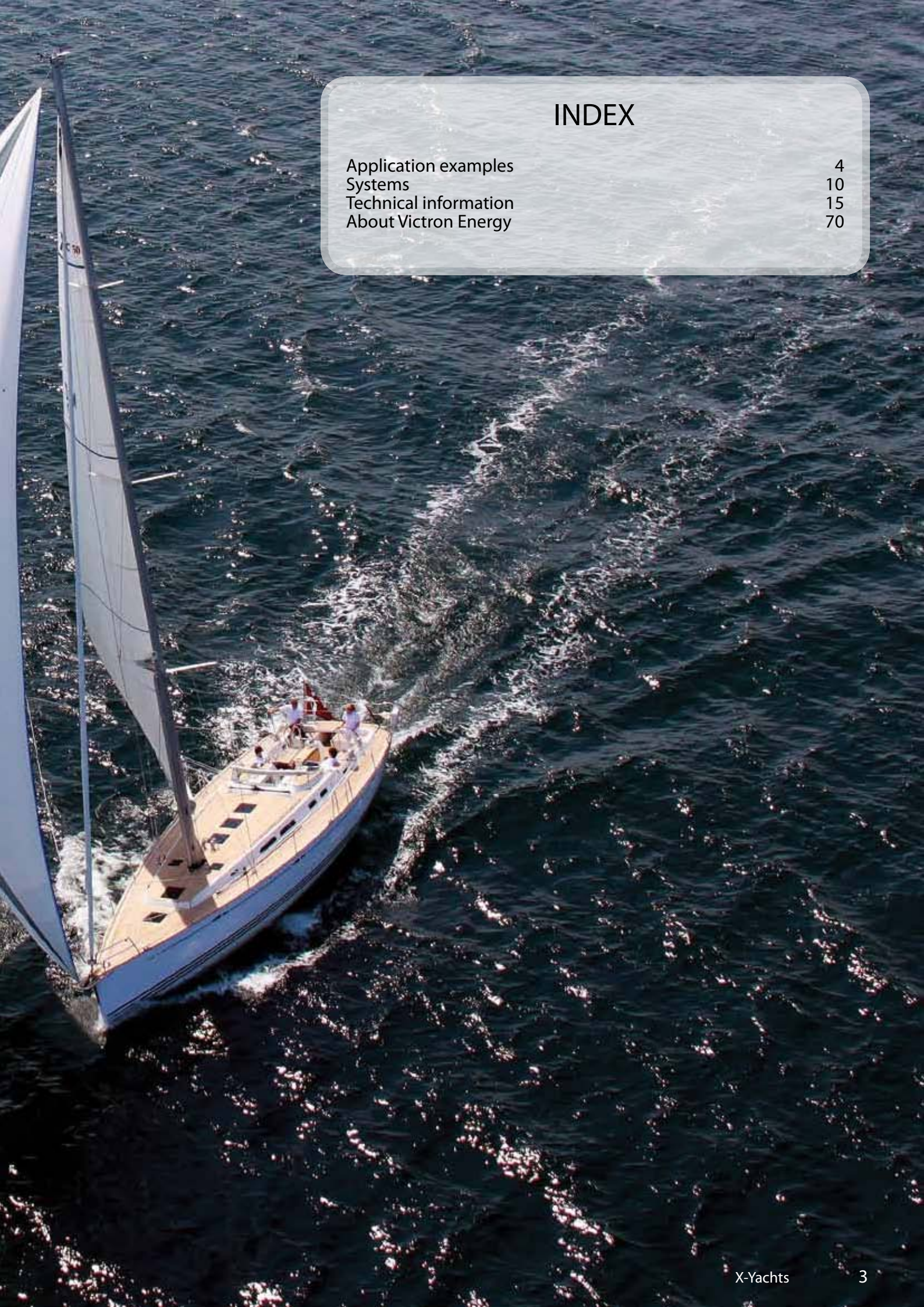
victron energy
BLUE POWER

MARINE

ENERGY. ANYTIME. ANYWHERE.







INDEX

Application examples	4
Systems	10
Technical information	15
About Victron Energy	70

APPLICATION EXAMPLES



The Netherlands: Green sailingyacht 'Ecolution'.

Generating energy from water, wind and sun

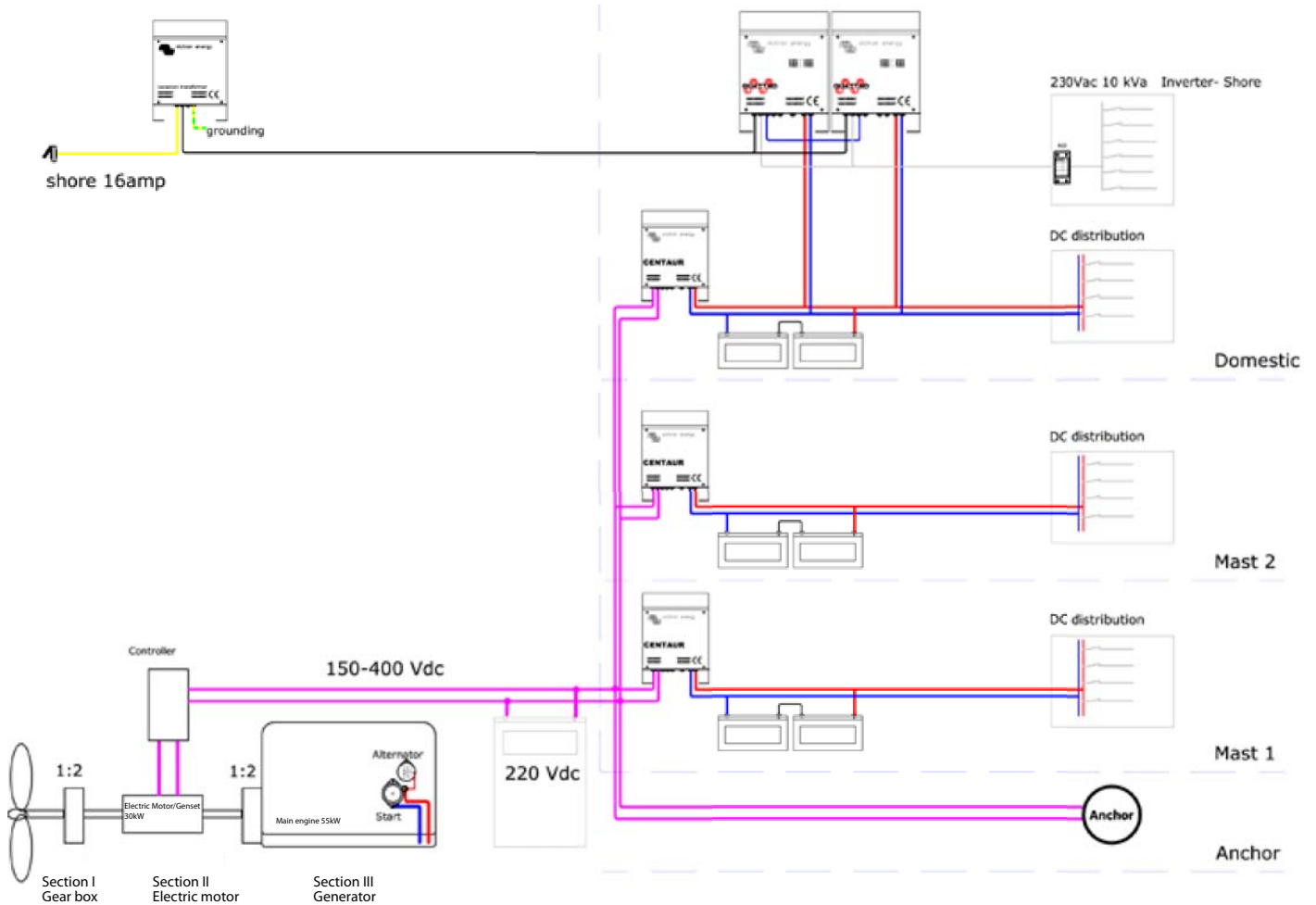
The Ecolution is a 26 meter long sailing yacht, equipped with many sustainable techniques. During sailing the yacht develops substantial power, of which a part can be tapped without imposing significant reduction of sailing qualities. Two propellers are placed between the rudders of the vessel not only for propulsion but also for generating energy. The use of solar energy on the yacht is still in development.

Robust back-up system from Victron Energy

A safe and smart battery system has been designed by Victron specialist Johannes Boonstra. The energy generated by the Ecolution will be stored in 120 Victron batteries. With a total weight of 10.000 kg, the batteries will replace the use of conventional lead-ballast. The batteries are connected to a 24V Centaur charger and several Quattro inverters/chargers from Victron Energy. Wubbo Ockels is very happy with the system: 'It is a great back-up system, even when the central system fails there will still be an extra back-up'.



APPLICATION EXAMPLES



The drive system is highly redundant and consists of two identical "strings" of a mechanically coupled (bio) Yanmar diesel engine (55kW), a 20kW electrical motor/generator, a gearbox and a 'camber-adaptive' propeller. The sections I, II and III can be detached by couplings. Electrical power generation and electrical propulsion is provided by section I and II, while III and II provides a backup diesel generator function. Section I and III provides direct diesel propulsion.



APPLICATION EXAMPLES

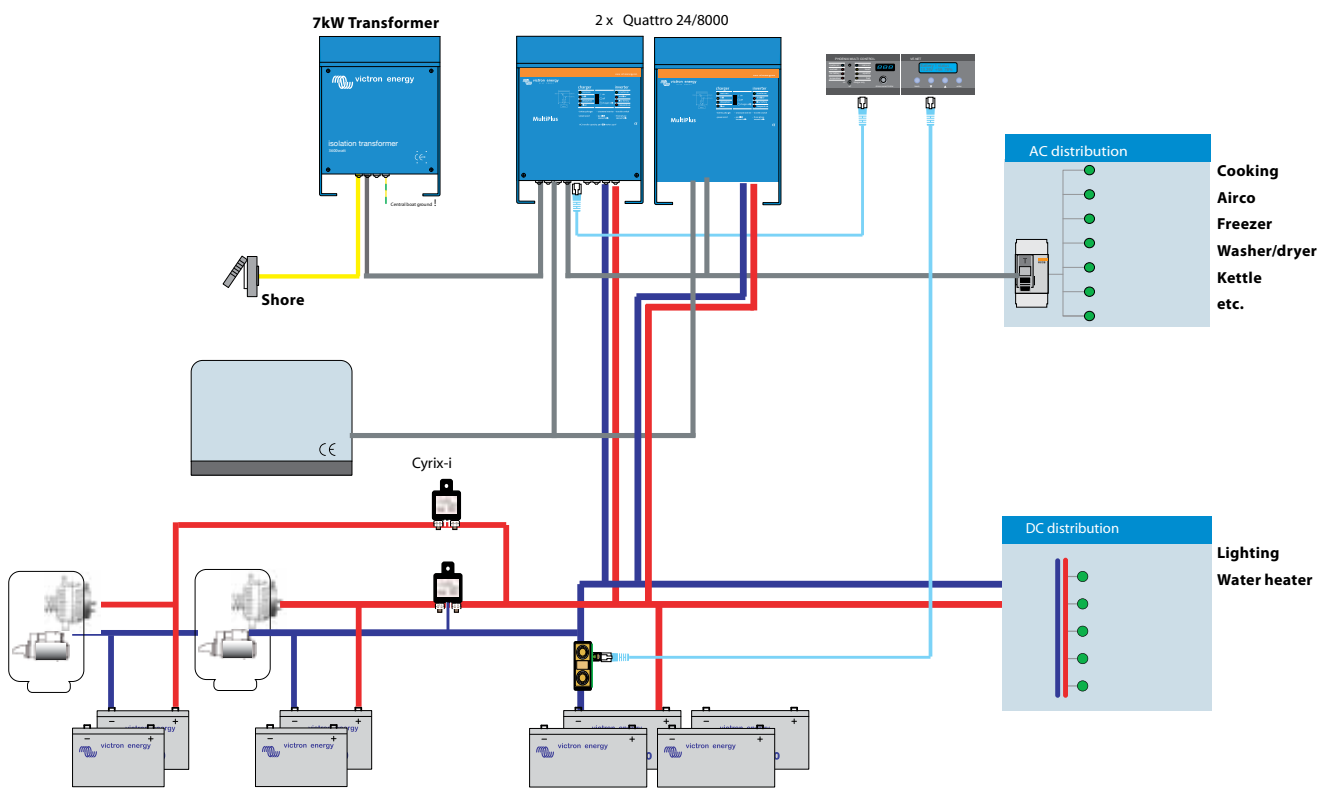


United Kingdom: Sunseeker

Sunseeker International, UK's leading motor yacht builder, uses MultiPlus inverterchargers. The MultiPlus provides inverter power, battery charging, power management and UPS on their 82-94 foot yacht model range. While the yacht is in "silent running" mode, for instance when the yacht is at anchor, the inverter supplies power for entertainment and refrigeration. The UPS functionality of the MultiPlus ensures that there is a seamless transfer between shore power, generator power and inverter only operation. When mains power is available, the unit provides optimised battery charging. Any overload of the mains or generator will be prevented by using the additional power from the batteries, a feature called PowerAssist.



APPLICATION EXAMPLES



Schematic overview of the installation in the Sunseeker.

APPLICATION EXAMPLES



The Netherlands: 'The Green Miles', green project for blue oceans

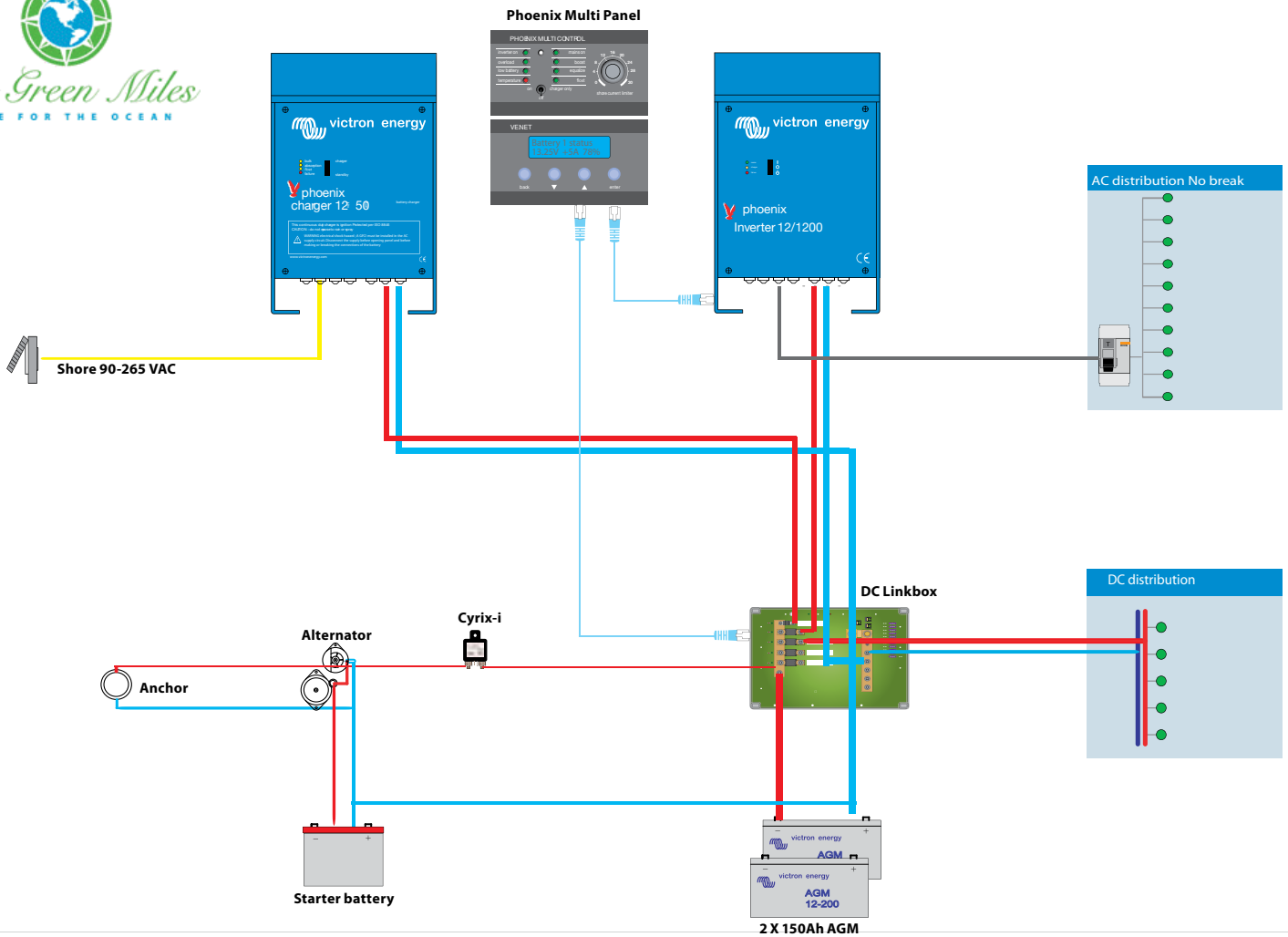
The Green Miles was started to create awareness among the general public for the problems of our oceans. In addition, The Green Miles wants to inspire people to interact with the world and the oceans in a green way. The Green Miles is a project in which Arjen van Eijk and Florian Dirkse sailed around the world in two years, raising awareness on ocean climate. Victron Energy backs the Green Miles' aims and is sponsoring the project by providing an on-board sustainable energy supply. Green products by Victron Energy are regularly used in remote places around the world to guarantee an independent energy supply. The energy provided on board of the Green Miles will therefore be sustainable as well as... comfortable!

Green sailing

The Green Miles' sustainable use of windpower to sail the world means there will be minimal use of fossil fuels and almost zero emissions. The yacht has also been adapted in several key areas. There are quite a few solar panels on board. A wind turbine provides additional energy. A waste disposal system means no harmful refuse needs to be thrown overboard. Green waste will be pulped so that sea creatures are able to feed on it. The boat has been fitted with a saltwater pump to prevent waste of drinking water, and energy-saving LED-lighting has been installed. The motor will only be used sparingly.



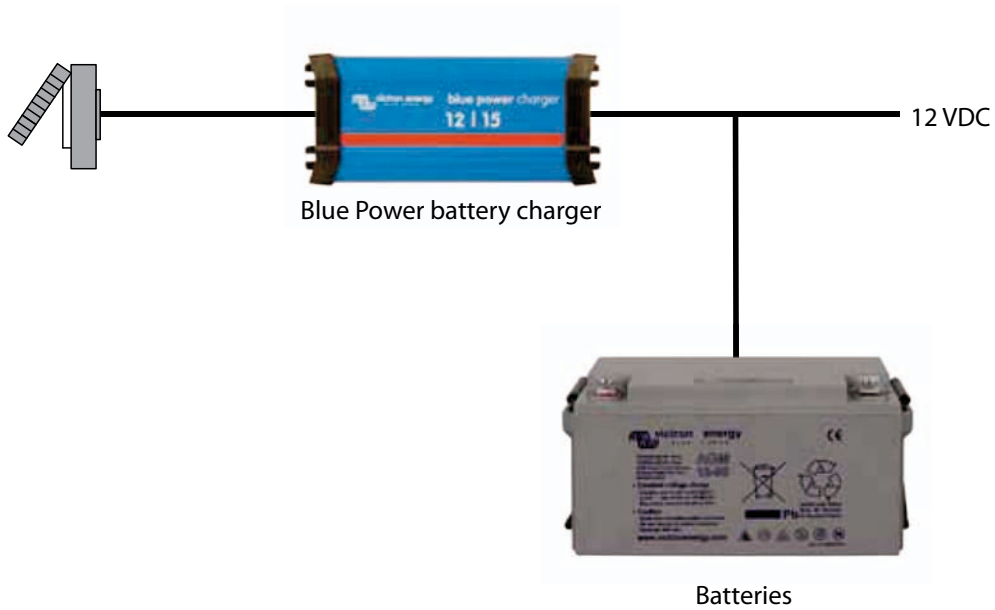
APPLICATION EXAMPLES



Schematic overview of the installation in 'The Green Miles'.

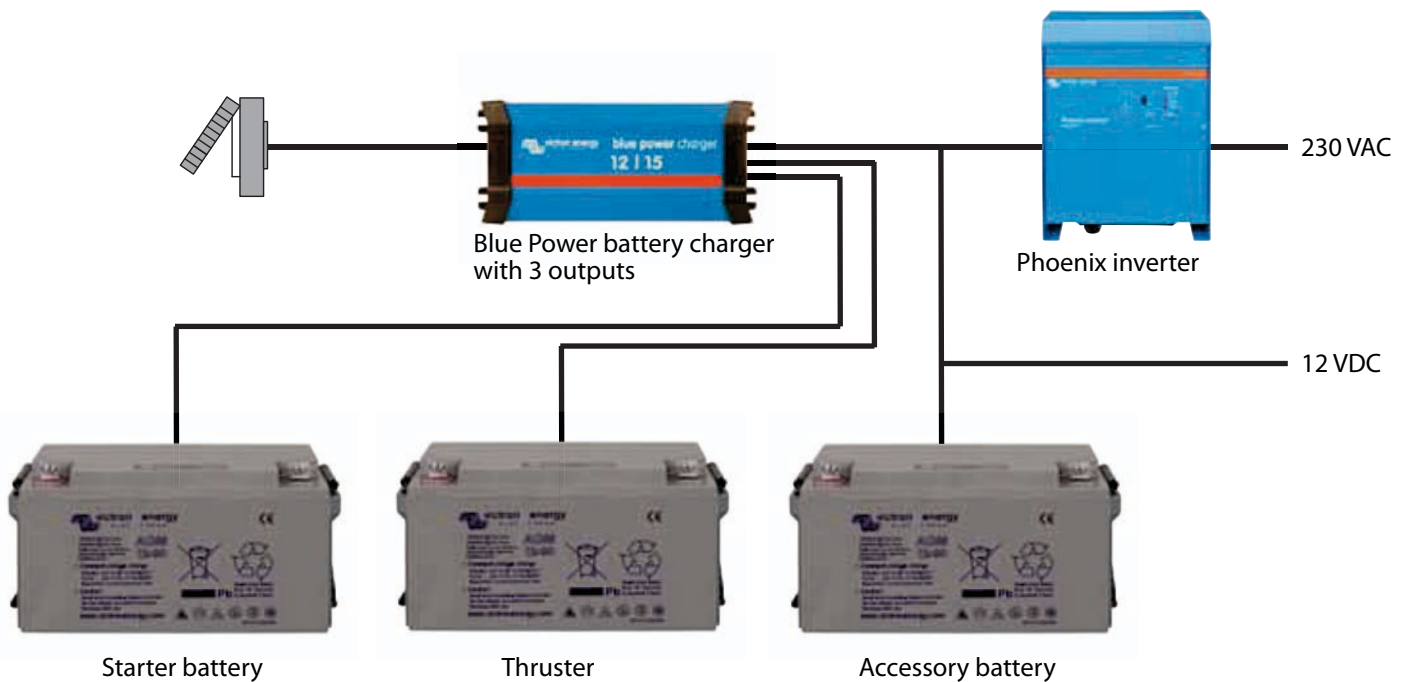


SYSTEMS



1. Simple system with only DC consumers

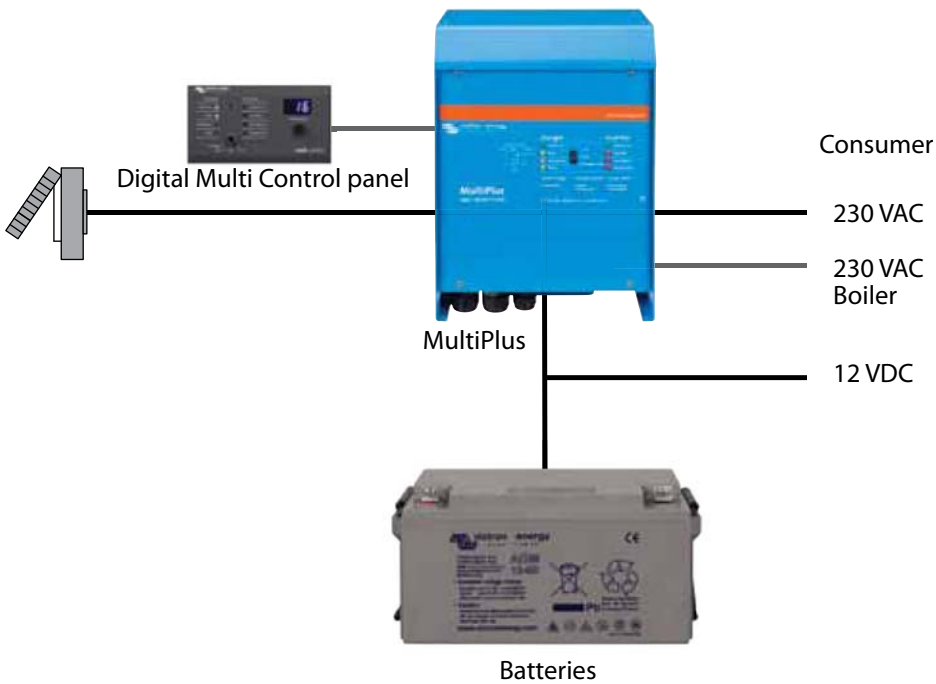
The battery charger charges the battery and functions as a power supply for the consumers.



2. System with inverter

This system contains an inverter to ensure a supply of 230VAC at all times. Many chargers have several outputs which allow for several battery groups to be charged separately.

SYSTEMS



PowerAssist – boosting the capacity of grid or generator power

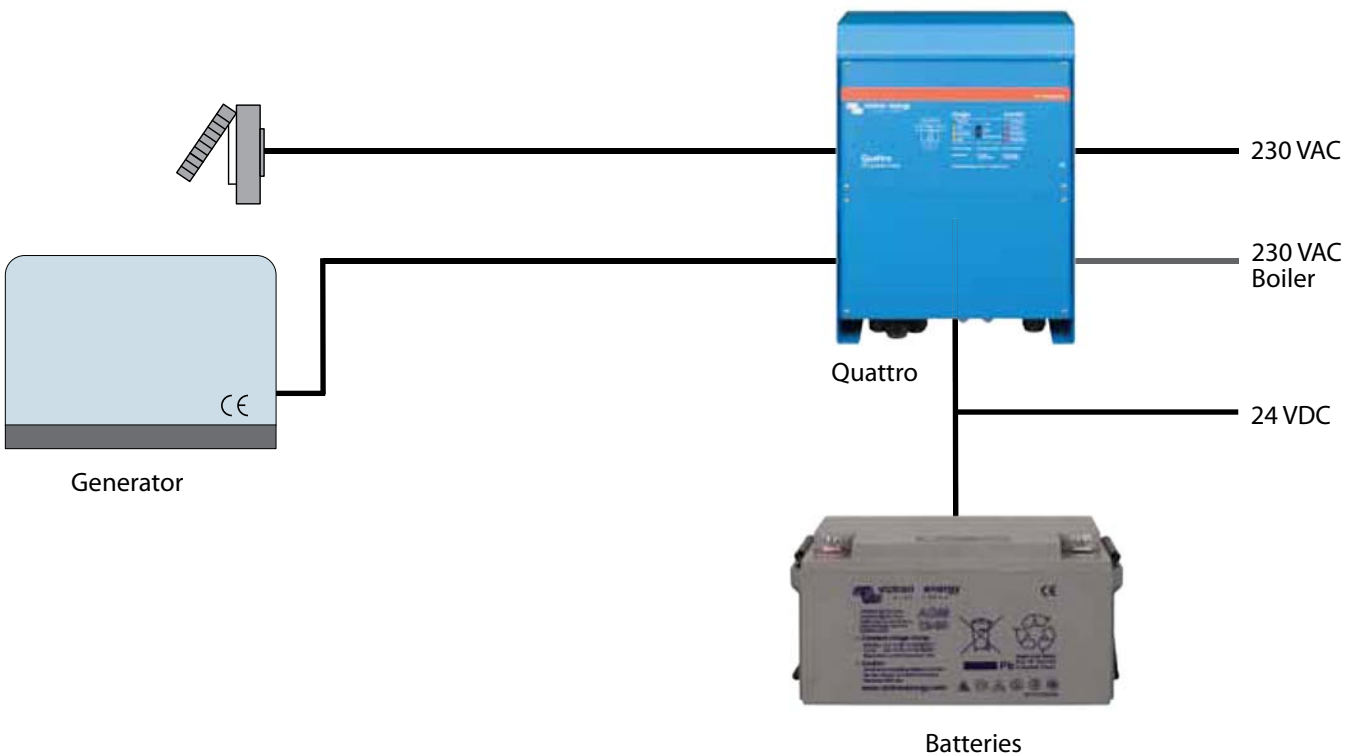
This unique Victron feature allows the MultiPlus to supplement the capacity of the grid or generator power. Where peak power is so often required only for a limited period, the MultiPlus will make sure that insufficient shore or generator power is immediately compensated with power from the battery. When the load reduces, the spare power is used to recharge the battery bank.

It is therefore no longer necessary to size a generator on the maximum peak load. Use the most efficient size generator instead.

Note: this feature is available in both the MultiPlus and the Quattro.

3. Multi-functional

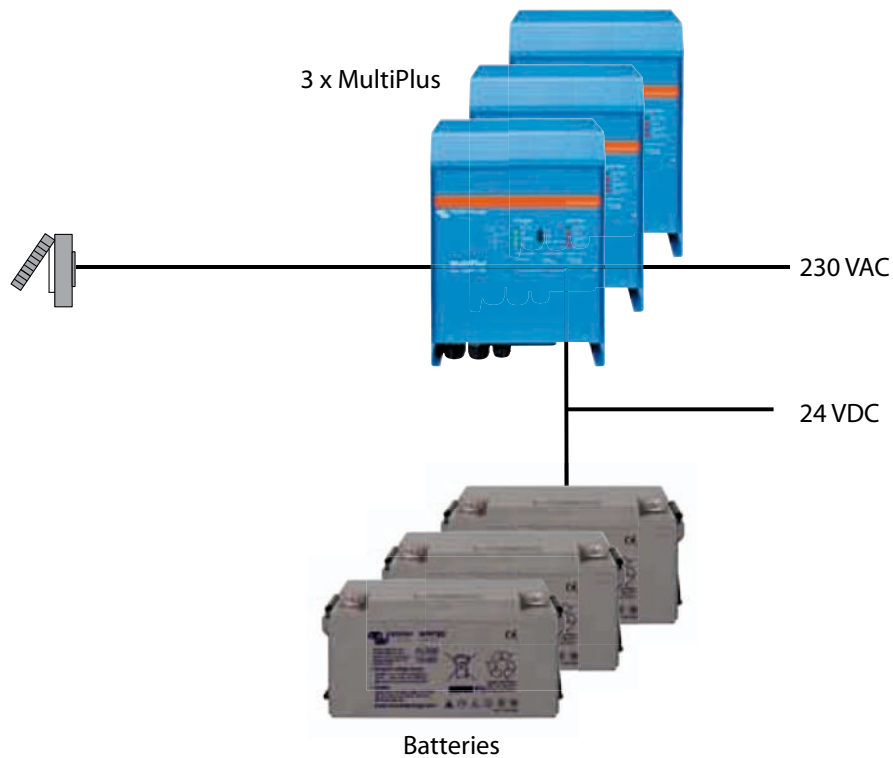
The MultiPlus is a charger and inverter in one. It also offers several functional advantages such as PowerControl and PowerAssist.



4. System with generator

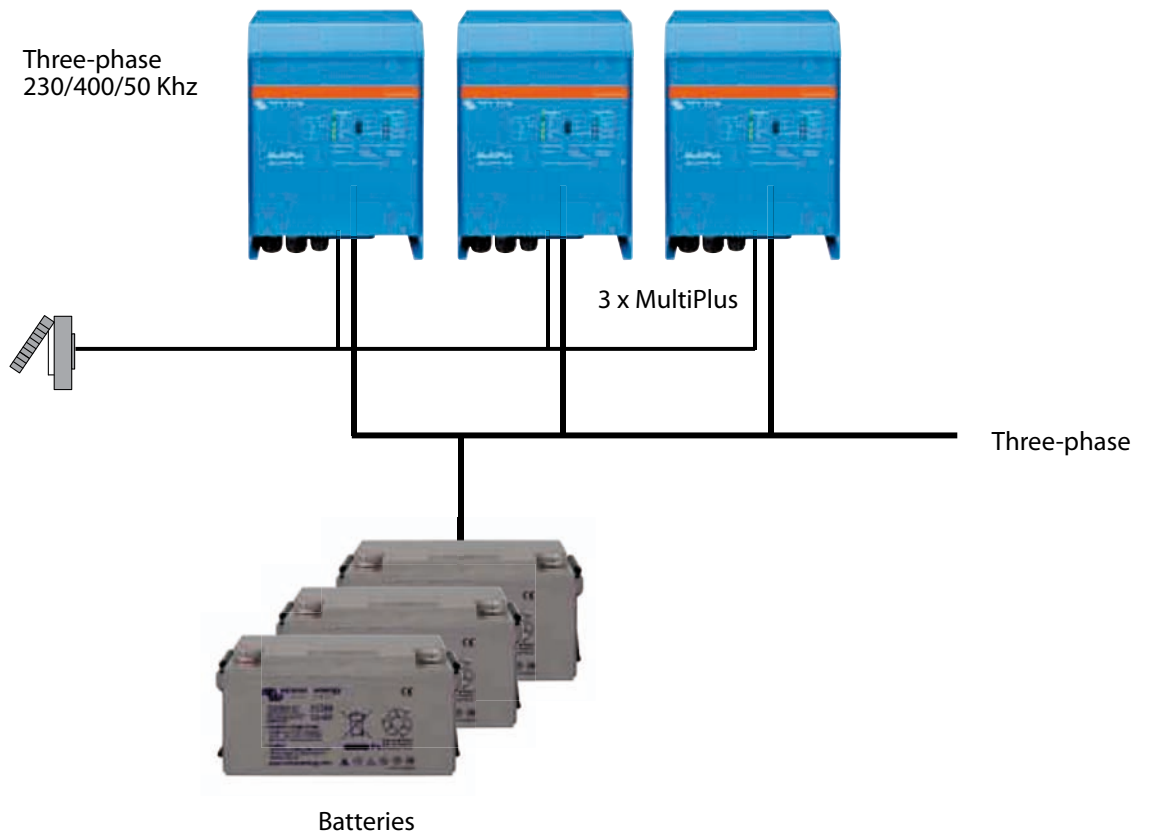
The Quattro is a powerful charger and inverter as well as a transfer system which can be directly connected to shore power and a generator.

SYSTEMS



5. Parallel system

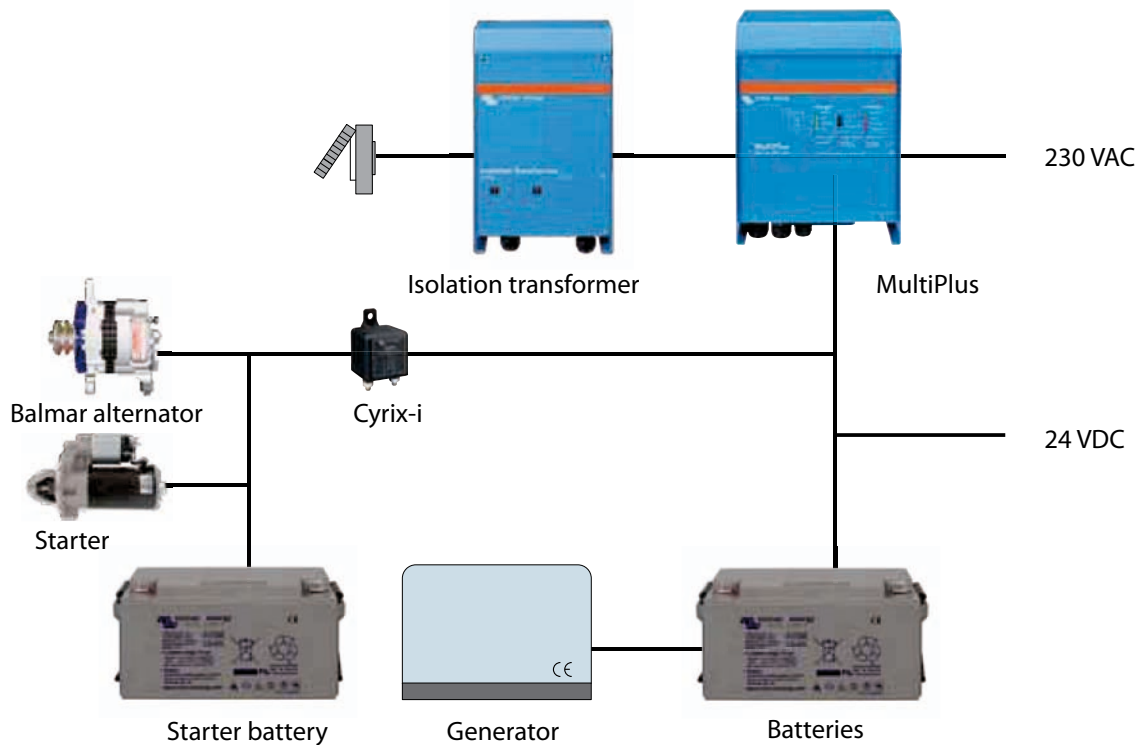
Units can be connected in parallel from 800VA. This allows them to supply larger amounts of power. A simple setting with VEConfigure is sufficient.



6. Three-phase system

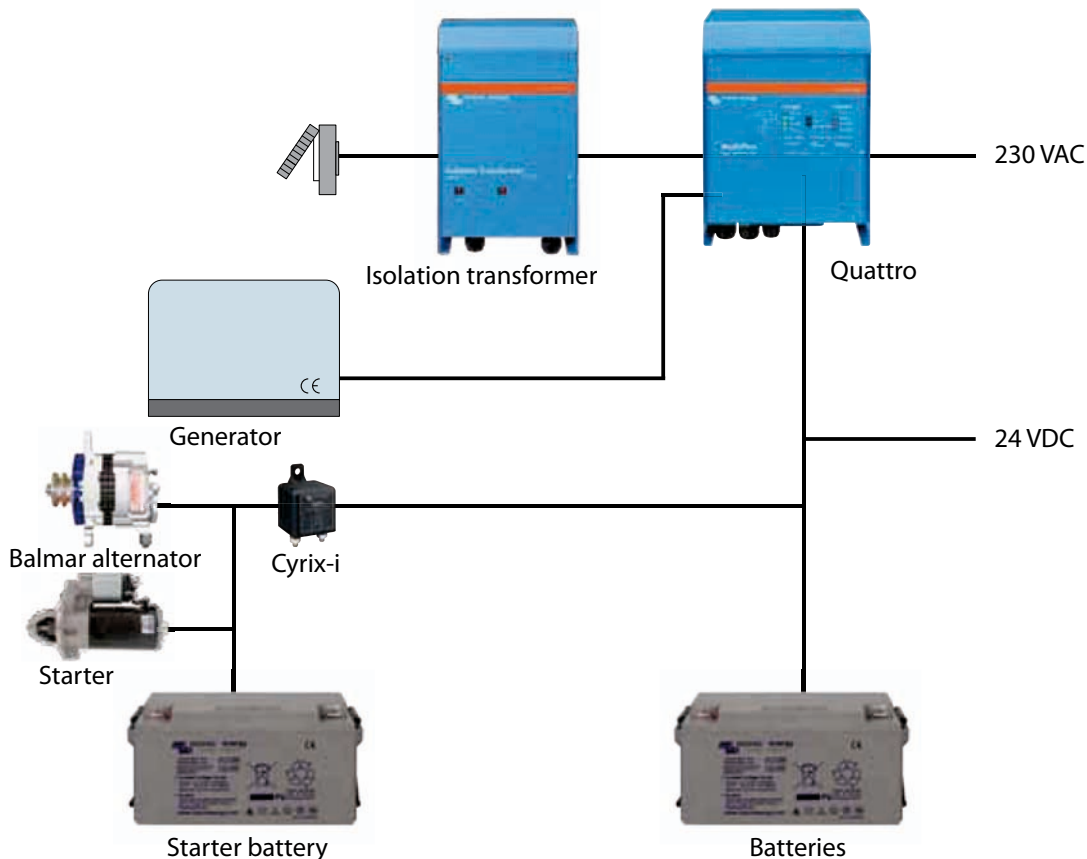
A three-phase system can be desirable for larger systems. This also can be realized with standard units.

SYSTEMS



7. Power up to 10kVA

In this MultiPlus-based system example the generator directly charges the batteries and/or feeds the inverters. This system offers a lot of advantages such as weight reduction and comfort.



8. Power from 10kVA

This system example is based on Quattro units which form the heart of the system. Depending on how high the demand for power is, the Quattro can choose between battery- shore- and generator power.



TECHNICAL INFORMATION

Phoenix inverters 180VA - 750VA	16
Phoenix inverters 1200VA - 5000VA	18
MultiPlus inverter/charger 800VA - 5kVA 230V	20
Quattro inverter/charger 3kVA - 10kVA 230V	22
MultiPlus inverter/charger 2kVA and 3kVA 120V	24
Quattro inverter/charger 3kVA - 5kVA 120V	26
Blue Power battery charger IP20	30
Blue Power battery charger waterproof IP65	31
Centaur charger 12/24V	32
Phoenix battery charger 12/24V	34
Skylla TG charger 24/48V 230V	36
Skylla TG charger 24V 90-265V GL approved	38
Isolation transformers	40
Orion DC/DC converters	42
Blue Power panel	46
Cyrix-i 12/24V 120A and 225A	47
Cyrix-i 200A-400A 12/24V and 24/48V	48
Victron Global Remote 2 and Victron Ethernet Remote	50
Precision battery monitoring	52
Argo diode battery isolators	54
Argo FET battery isolators	55
BlueSolar charge controllers	56
GEL and AGM batteries	60
BlueSolar monocrystalline panels	64
BlueSolar polycrystalline panels	65
Accessories	66
MultiPlus principle	68

PHOENIX INVERTERS 180VA - 750VA



**Phoenix Inverter
12/750**

SinusMax – Superior engineering

Developed for professional duty, the Phoenix range of inverters is suitable for the widest range of applications. The design criteria have been to produce a true sine wave inverter with optimized efficiency but without compromise in performance. Employing hybrid HF technology, the result is a top quality product with compact dimensions, light in weight and capable of supplying power, problem-free, to any load.

Extra start-up power

A unique feature of the SinusMax technology is very high start-up power. Conventional high frequency technology does not offer such extreme performance. Phoenix inverters, however, are well suited to power up difficult loads such as computers and low power electric tools.



**Phoenix Inverter
12/750**

To transfer the load to another AC source: the automatic transfer switch

For our lower power models we recommend the use of our Filax Automatic Transfer Switch. The Filax features a very short switchover time (less than 20 milliseconds) so that computers and other electronic equipment will continue to operate without disruption.

LED diagnosis

Please see manual for a description.

Remote on/off switch

Connector for remote on off switch available on all models.



**Phoenix Inverter
12/750 with Schuko socket**

Remote control panel (750VA model only)

Connects to the inverter with a RJ12 UTP cable (length 3 meter, included).

DIP switch for 50/60Hz selection (750VA model only)

DIP switches for Power Saving Mode (750VA model only)

When operating in Power Saving Mode, the no-load current is reduced to 1/3 of nominal. In this mode the inverter is switched off in case of no load or very low load, and switches on every two seconds for a short period. If the output current exceeds a set lever. The inverter will continue to operate. If not, the inverter will shut down again. The on/off level can be set from 15W to 85W with DIP switches.

Available with three different output sockets

Please see pictures below.



**Phoenix Inverter 12/350
with IEC-320 sockets**



**Phoenix Inverter 12/180
with Schuko socket**



**Phoenix Inverter 12/180
with Nema 5-15R sockets**

PHOENIX INVERTERS 180VA - 750VA

Phoenix Inverter	12 Volt 24 Volt 48 Volt	12/180 24/180	12/350 24/350 48/350	12/750 24/750 48/750
Cont. AC power at 25 °C (VA) (3)		180	350	750
Cont. power at 25 °C / 40 °C (W)		175 / 150	300 / 250	700 / 650
Peak power (W)		350	700	1400
Output AC voltage / frequency (4)		110VAC or 230VAC +/- 3% 50Hz or 60Hz +/- 0,1%		
Input voltage range (V DC)		10,5 - 15,5 / 21,0 - 31,0 / 42,0 - 62,0		
Low battery alarm (V DC)		11,0 / 22 / 44		
Low battery shut down (V DC)		10,5 / 21 / 42		
Low battery auto recovery (V DC)		12,5 / 25 / 50		
Max. efficiency 12 / 24 / 48 V (%)		87 / 88	89 / 89 / 90	91 / 93 / 94
Zero-load power 12 / 24 / 48 V (W)		2,6 / 3,8	3,1 / 5,0 / 6,0	14 / 14 / 13
Zero-load power in Power Saving mode		n. a.	n. a.	3 / 4 / 5
Protection (2)		a - e		
Operating temperature range		-20 to +50°C (fan assisted cooling)		
Humidity (non condensing)		max 95%		
ENCLOSURE				
Material & Colour		aluminium (blue Ral 5012)		
Battery-connection		1)	1)	Screw terminals
Standard AC outlets		IEC-320 (IEC-320 plug included), Schuko, or Nema 5-15R		
Other outlets (at request)		United Kingdom, Australia/New Zealand		
Protection category		IP 20		
Weight (kg / lbs)		2,7 / 5,4	3,5 / 7,7	2,7 / 5,4
Dimensions (hxwx in mm) (hxwx in inches)		72x132x200 2.8x5.2x7.9	72x155x237 2.8x6.1x9.3	72x180x295 2.8x7.1x11.6
ACCESSORIES				
Remote control panel		n. a.	n. a.	Optional
Remote on-off switch		Two pole connector		
Automatic transfer switch		Filax		
STANDARDS				
Safety		EN 60335-1		
Emission Immunity		EN55014-1 / EN 55014-2		
1) Battery cables of 1.5 meter (12/180 with cigarette plug) 3) Non linear load, crest factor 3:1 2) Protection key: 4) Frequency can be set by DIP switch (750VA models only) a) output short circuit b) overload c) battery voltage too high d) battery voltage too low e) temperature too high				



Battery Alarm

An excessively high or low battery voltage is indicated by an audible and visual alarm, and a relay for remote signalling.



Remote Control Panel

(750VA models only)
 RJ12 UTP cable to connect to the inverter is included (length: 3 meter).



BMV Battery Monitor

The BMV Battery Monitor features an advanced microprocessor control system combined with high resolution measuring systems for battery voltage and charge/discharge current. Besides this, the software includes complex calculation algorithms to exactly determine the state of charge of the battery. The BMV selectively displays battery voltage, current, consumed Ah or time to go. The monitor also stores a host of data regarding performance and use of the battery.

PHOENIX INVERTERS 1200VA - 5000VA



Phoenix Inverter
24/5000

SinusMax - Superior engineering

Developed for professional duty, the Phoenix range of inverters is suitable for the widest range of applications. The design criteria have been to produce a true sine wave inverter with optimised efficiency but without compromise in performance. Employing hybrid HF technology, the result is a top quality product with compact dimensions, light in weight and capable of supplying power, problem-free, to any load.

Extra start-up power

A unique feature of the SinusMax technology is very high start-up power. Conventional high frequency technology does not offer such extreme performance. Phoenix inverters, however, are well suited to power up difficult loads such as refrigeration compressors, electric motors and similar appliances.

Virtually unlimited power thanks to parallel and 3-phase operation capability

Up to 6 units inverters can operate in parallel to achieve higher power output. Six 24/5000 units, for example, will provide 24kW / 30kVA output power. Operation in 3-phase configuration is also possible.

To transfer the load to another AC source: the automatic transfer switch

If an automatic transfer switch is required we recommend using the MultiPlus inverter/charger instead. The switch is included in these products and the charger function of the MultiPlus can be disabled. Computers and other electronic equipment will continue to operate without disruption because the MultiPlus features a very short switchover time (less than 20 milliseconds).

Computer interface

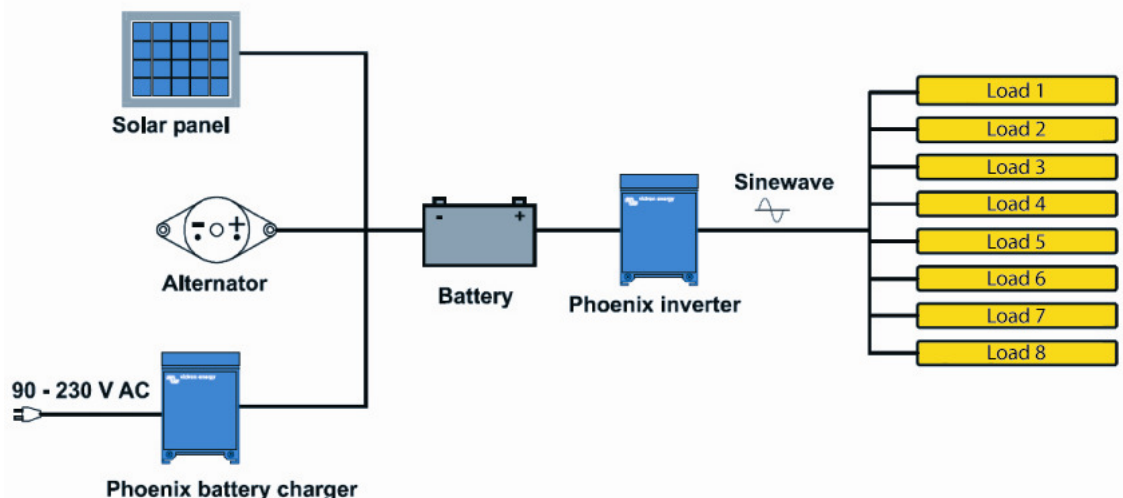
All models have a RS-485 port. All you need to connect to your PC is our MK2 interface (see under accessories). This interface takes care of galvanic isolation between the inverter and the computer, and converts from RS-485 to RS-232. A RS-232 to USB conversion cable is also available. Together with our VEConfigure software, which can be downloaded free of charge from our website, all parameters of the inverters can be customised. This includes output voltage and frequency, over and under voltage settings and programming the relay. This relay can for example be used to signal several alarm conditions, or to start a generator. The inverters can also be connected to VENet, the new power control network of Victron Energy, or to other computerised monitoring and control systems.

New applications of high power inverters

The possibilities of paralleled high power inverters are truly amazing. For ideas, examples and battery capacity calculations please refer to our book "Energy Unlimited" (available free of charge from Victron Energy and downloadable from www.victronenergy.com).



Phoenix Inverter Compact
24/1600



PHOENIX INVERTERS 1200VA - 5000VA

Phoenix Inverter	C12/1200 C24/1200	C12/1600 C24/1600	C12/2000 C24/2000	12/3000 24/3000 48/3000	24/5000 48/5000
Parallel and 3-phase operation	Yes				
INVERTER					
Input voltage range (V DC)	9,5 – 17V 19 – 33V 38 – 66V				
Output	Output voltage: 230 VAC ±2% Frequency: 50 Hz ± 0,1% (1)				
Cont. output power at 25 °C (VA) (2)	1200	1600	2000	3000	5000
Cont. output power at 25 °C (W)	1000	1300	1600	2500	4500
Cont. output power at 40 °C (W)	900	1200	1450	2200	4000
Peak power (W)	2400	3000	4000	6000	10000
Max. efficiency 12/ 24 / 48 V (%)	92 / 94	92 / 94	92 / 92	93 / 94 / 95	94 / 95
Zero-load power 12 / 24 / 48 V (W)	8 / 10	8 / 10	9 / 11	15 / 15 / 16	25 / 25
Zero-load power in AES mode (W)	5 / 8	5 / 8	7 / 9	10 / 10 / 12	20 / 20
Zero-load power in Search mode (W)	2 / 3	2 / 3	3 / 4	4 / 5 / 5	5 / 6
GENERAL					
Programmable relay (3)	Yes				
Protection (4)	a - g				
VE.Bus communication port	For parallel and three phase operation, remote monitoring and system integration				
Remote on-off	Yes				
Common Characteristics	Operating temperature range: -40 to +50 °C (fan assisted cooling) Humidity (non condensing): max 95%				
ENCLOSURE					
Common Characteristics	Material & Colour: aluminum (blue RAL 5012) Protection category: IP 21				
Battery-connection	battery cables of 1.5 meter included		M8 bolts	2+2 M8 bolts	
230 V AC-connection	G-ST18i plug		Spring-clamp	Screw terminals	
Weight (kg)	10		12	18	30
Dimensions (hxwhd in mm)	375x214x110		520x255x125	362x258x218	444x328x240
STANDARDS					
Safety	EN 60335-1				
Emission Immunity	EN 55014-1 / EN 55014-2				
1) Can be adjusted to 60Hz and to 240V 2) Non linear load, crest factor 3:1 3) Programmable relay that can a.o. be set for general alarm, DC undervoltage or genset start/stop function. AC rating: 230V/4A DC rating: 4a up to 35VDC, 1A up to 60VDC	4) Protection key: a) output short circuit b) overload c) battery voltage too high d) battery voltage too low e) temperature too high f) 230 V AC on inverter output g) input voltage ripple too high				



Phoenix Inverter Control

This panel can also be used on a MultiPlus inverter/charger when an automatic transfer switch but no charger function is desired. The brightness of the LEDs is automatically reduced during night time.



Computer controlled operation and monitoring

Several interfaces are available:

- **MK2.2 VE.Bus to RS232 converter**
Connects to the RS232 port of a computer (see 'A guide to VEConfigure')
- **MK2-USB VE.Bus to USB converter**
Connects to a USB port (see 'A guide to VEConfigure')
- **VE.Net to VE.Bus converter**
Interface to VE.Net (see VE.Net documentation)
- **VE.Bus to NMEA 2000 converter**
- **VE.Bus to E-PLEX converter**
- **Victron Global Remote**
The Global Remote is a modem which sends alarms, warnings and system status reports to cellular phones via text messages (SMS). It can also log data from Victron Battery Monitors, Multi's, Quattro's and Inverters to a website through a GPRS connection. Access to this website is free of charge.
- **Victron Ethernet Remote**
To connect to Ethernet.



BMV Battery Monitor

The BMV Battery Monitor features an advanced microprocessor control system combined with high resolution measuring systems for battery voltage and charge / discharge current. Besides this, the software includes complex calculation algorithms, like Peukert's formula, to exactly determine the state of charge of the battery. The BMV selectively displays battery voltage, current, consumed Ah or time to go. The monitor also stores a host of data regarding performance and use of the battery.

Several models available (see battery monitor documentation).

MULTIPLUS INVERTER/CHARGER 800VA - 5KVA 230V



MultiPlus
24/3000/70

Multi-functional, with intelligent power management

The MultiPlus is a powerful true sine wave inverter, a sophisticated battery charger that features adaptive charge technology, and a high-speed AC transfer switch in a single compact enclosure. Next to these primary functions, the MultiPlus has several advanced features, as outlined below.

Two AC Outputs

The main output has no-break functionality. The MultiPlus takes over the supply to the connected loads in the event of a grid failure or when shore/generator power is disconnected. This happens so fast (less than 20 milliseconds) that computers and other electronic equipment will continue to operate without disruption. The second output is live only when AC is available on one of the inputs of the MultiPlus. Loads that should not discharge the battery, like a water heater for example, can be connected to this output (second output available on models rated at 3kVA and more).

Virtually unlimited power thanks to parallel operation

Up to 6 Multi's can operate in parallel to achieve higher power output. Six 24/5000/120 units, for example, will provide 25 kW / 30 kVA output power with 720 Amps charging capacity.

Three phase capability

In addition to parallel connection, three units of the same model can be configured for three-phase output. But that's not all: up to 6 sets of three units can be parallel connected for a huge 75 kW / 90 kVA inverter and more than 2000 Amps charging capacity.

PowerControl - Dealing with limited generator, shore side or grid power

The MultiPlus is a very powerful battery charger. It will therefore draw a lot of current from the generator or shore side supply (nearly 10A per 5kVA Multi at 230VAC). With the Multi Control Panel a maximum generator or shore current can be set. The MultiPlus will then take account of other AC loads and use whatever is extra for charging, thus preventing the generator or shore supply from being overloaded.

PowerAssist - Boosting the capacity of shore or generator power

This feature takes the principle of PowerControl to a further dimension. It allows the MultiPlus to supplement the capacity of the alternative source. Where peak power is so often required only for a limited period, the MultiPlus will make sure that insufficient shore or generator power is immediately compensated for by power from the battery. When the load reduces, the spare power is used to recharge the battery.

Four stage adaptive charger and dual bank battery charging

The main output provides a powerful charge to the battery system by means of advanced 'adaptive charge' software. The software fine-tunes the three stage automatic process to suit the condition of the battery, and adds a fourth stage for long periods of float charging. The adaptive charge process is described in more detail on the Phoenix Charger datasheet and on our website, under Technical Information. In addition to this, the MultiPlus will charge a second battery using an independent trickle charge output intended for a main engine or generator starter battery (trickle charge output available on 12V and 24V models only).

System configuring has never been easier

After installation, the MultiPlus is ready to go.

If settings have to be changed, this can be done in a matter of minutes with a new DIP switch setting procedure.

Even parallel and 3-phase operation can be programmed with DIP switches: no computer needed!

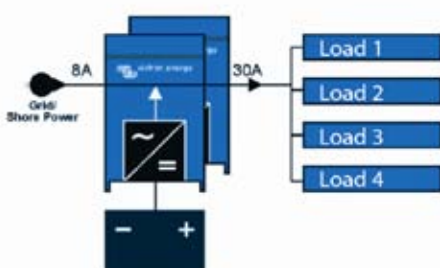
Alternatively, VE.Net can be used instead of the DIP switches.

And sophisticated software (VE.Bus Quick Configure and VE.Bus System Configurator) is available to configure several new, advanced, features.

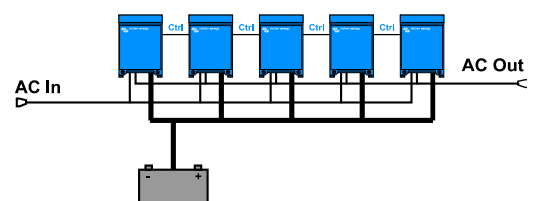


MultiPlus Compact
12/2000/80

PowerAssist with 2x MultiPlus in parallel



Five parallel units: output power 25 kVA



MULTIPLUS INVERTER/CHARGER 800VA - 5kVA 230V

MultiPlus	24 Volt 48 Volt	C 24/ 800/16	C 24/1200/25	C 24/1600/40	C 24/2000/50	24/3000/70 48/3000/35	24/5000/120 48/5000/70
PowerControl		Yes	Yes	Yes	Yes	Yes	Yes
PowerAssist		Yes	Yes	Yes	Yes	Yes	Yes
Transfer switch (A)		16	16	16	30	16 or 50	50
Parallel and 3-phase operation		Yes	Yes	Yes	Yes	Yes	Yes
INVERTER							
Input voltage range (V DC)		9,5 – 17 V		19 – 33 V	38 – 66 V		
Output		Output voltage: 230 VAC ± 2%			Frequency: 50 Hz ± 0,1% (1)		
Cont. output power at 25 °C (VA) (3)		800	1200	1600	2000	3000	5000
Cont. output power at 25 °C (W)		700	1000	1300	1600	2500	4500
Cont. output power at 40 °C (W)		650	900	1200	1450	2200	4000
Peak power (W)		1600	2400	3000	4000	6000	10.000
Maximum efficiency (%)		92 / 94	93 / 94	93 / 94	93 / 94	93 / 94 / 95	94 / 95
Zero-load power (W)		8 / 10	8 / 10	8 / 10	9 / 11	15 / 15 / 16	25 / 25
Zero load power in AES mode (W)		5 / 8	5 / 8	5 / 8	7 / 9	10 / 10 / 12	20 / 20
Zero load power in Search mode (W)		2 / 3	2 / 3	2 / 3	3 / 4	4 / 5 / 5	5 / 6
CHARGER							
AC Input		Input voltage range: 187-265 VAC		Input frequency: 45 – 65 Hz		Power factor: 1	
Charge voltage 'absorption' (V DC)		14,4 / 28,8 / 57,6					
Charge voltage 'float' (V DC)		13,8 / 27,6 / 55,2					
Storage mode (V DC)		13,2 / 26,4 / 52,8					
Charge current house battery (A) (4)		35 / 16	50 / 25	70 / 40	80 / 50	120 / 70 / 35	120 / 70
Charge current starter battery (A)		4 (12V and 24V models only)					
Battery temperature sensor		yes					
GENERAL							
Auxiliary output (5)		n. a.	n. a.	n. a.	n. a.	Yes (16A)	Yes (25A)
Programmable relay (6)		Yes					
Protection (2)		a - g					
VE.Bus communication port		For parallel and three phase operation, remote monitoring and system integration					
General purpose com. port (7)		n. a.	n. a.	n. a.	n. a.	Yes (8)	Yes
Remote on-off		Yes					
Common Characteristics		Operating temp. range: -40 to +50°C (fan assisted cooling) Humidity (non condensing): max 95%					
ENCLOSURE							
Common Characteristics		Material & Colour: aluminium (blue RAL 5012)			Protection category: IP 21		
Battery-connection		battery cables of 1.5 meter		M8 bolts	Four M8 bolts (2 plus and 2 minus connections)		
230 V AC-connection		G-ST18i connector		Spring-clamp	Screw terminals 13 mm ² (6 AWG)		
Weight (kg)		10	10	10	12	18	30
Dimensions (hwxwd in mm)		375x214x110		520x255x125	362x258x218	444x328x240	
STANDARDS							
Safety		EN 60335-1, EN 60335-2-29					
Emission, Immunity		EN55014-1, EN 55014-2, EN 61000-3-3					
Automotive Directive		2004/104/EC					
1) Can be adjusted to 60 Hz; 120 V 60 Hz on request		3) Non linear load, crest factor 3:1					
2) Protection key:		4) At 25 °C ambient					
a) output short circuit		5) Switches off when no external AC source available					
b) overload		6) Programmable relay that can a. o. be set for general alarm,					
c) battery voltage too high		DC undervoltage or genset start/stop function					
d) battery voltage too low		AC rating: 230V/4A					
e) temperature too high		DC rating: 4A up to 35VDC, 1A up to 60VDC					
f) 230 VAC on inverter output		7) A. o. to communicate with a Lithium Ion battery BMS					
g) input voltage ripple too high		8) Models with 16A transfer switch only (see Quattro for 50A transfer switch)					



Digital Multi Control

A convenient and low cost solution for remote monitoring, with a rotary knob to set Power Control and Power Assist levels.



Blue Power Panel

Connects to a Multi or Quattro and all VE.Net devices, in particular the VE.Net Battery Controller.

Graphic display of currents and voltages.



Computer controlled operation and monitoring

Several interfaces are available:

- **MK2.2 VE.Bus to RS232 converter**
Connects to the RS232 port of a computer (see 'A guide to VEConfigure')
- **MK2-USB VE.Bus to USB converter**
Connects to a USB port (see 'A guide to VEConfigure')
- **VE.Net to VE.Bus converter**
Interface to VE.Net (see VE.Net documentation)
- **VE.Bus to NMEA 2000 converter**
- **VE.Bus to E-PLEX converter**
- **Victron Global Remote**

The Global Remote is a modem which sends alarms, warnings and system status reports to cellular phones via text messages (SMS). It can also log data from Victron Battery Monitors, Multi's, Quattro's and Inverters to a website through a GPRS connection. Access to this website is free of charge.

- **Victron Ethernet Remote**
To connect to Ethernet.



BMV Battery Monitor

The BMV Battery Monitor features an advanced microprocessor control system combined with high resolution measuring systems for battery voltage and charge/discharge current. Besides this, the software includes complex calculation algorithms, like Peukert's formula, to exactly determine the state of charge of the battery. The BMV selectively displays battery voltage, current, consumed Ah or time to go. The monitor also stores a host of data regarding performance and use of the battery. Several models available (see battery monitor documentation).

QUATTRO INVERTER/CHARGER 3kVA - 10kVA 230V



Quattro
48/5000/70-50/30



Quattro
24/3000/70-50/30

Two AC inputs with integrated transfer switch

The Quattro can be connected to two independent AC sources, for example shore-side power and a generator, or two generators. The Quattro will automatically connect to the active source.

Two AC Outputs

The main output has no-break functionality. The Quattro takes over the supply to the connected loads in the event of a grid failure or when shore/generator power is disconnected. This happens so fast (less than 20 milliseconds) that computers and other electronic equipment will continue to operate without disruption. The second output is live only when AC is available on one of the inputs of the Quattro. Loads that should not discharge the battery, like a water heater for example, can be connected to this output.

Virtually unlimited power thanks to parallel operation

Up to 10 Quattro units can operate in parallel. Ten units 48/10000/140, for example, will provide 90kW / 100kVA output power and 1400 Amps charging capacity.

Three phase capability

Three units can be configured for three-phase output. But that's not all: up to 10 sets of three units can be parallel connected to provide 270kW / 300kVA inverter power and more than 4000A charging capacity.

PowerControl – Dealing with limited generator, shore-side or grid power

The Quattro is a very powerful battery charger. It will therefore draw a lot of current from the generator or shore side supply (16A per 5kVA Quattro at 230VAC). A current limit can be set on each AC input. The Quattro will then take account of other AC loads and use whatever is spare for charging, thus preventing the generator or shore supply from being overloaded.

PowerAssist – Boosting shore or generator power

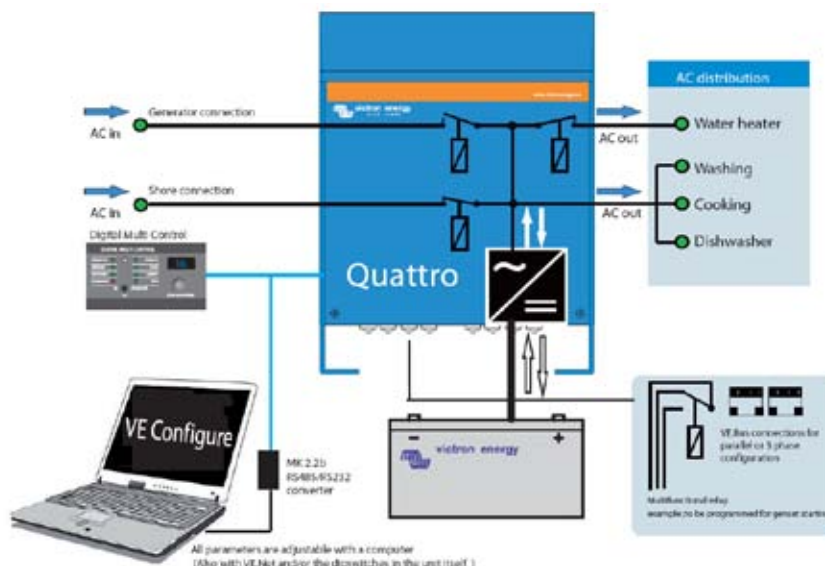
This feature takes the principle of PowerControl to a further dimension allowing the Quattro to supplement the capacity of the alternative source. Where peak power is so often required only for a limited period, the Quattro will make sure that insufficient shore or generator power is immediately compensated for by power from the battery. When the load reduces, the spare power is used to recharge the battery.

Solar energy: AC power available even during a grid failure

The Quattro can be used in off grid as well as grid connected PV and other alternative energy systems.

System configuring has never been easier

After installation, the Quattro is ready to go. If settings have to be changed, this can be done in a matter of minutes with a new DIP switch setting procedure. Even parallel and 3-phase operation can be programmed with DIP switches: no computer needed! Alternatively, VE.Net can be used instead of the DIP switches. And sophisticated software (VE.Bus Quick Configure and VE.Bus System Configurator) is available to configure several new, advanced, features.



QUATTRO INVERTER/CHARGER 3kVA - 10kVA 230V

Quattro	12/3000/120 24/3000/70	12/5000/200 24/5000/120 48/5000/70	24/8000/200 48/8000/110	48/10000/140
PowerControl / PowerAssist	Yes			
Integrated Transfer switch	Yes			
AC inputs (2x)	Input voltage range: 187-265 VAC Input frequency: 45 – 65 Hz Power factor: 1			
Maximum feed through current (A)	50 / 30	2x100	2x100	2x100
INVERTER				
Input voltage range (V DC)	9,5 – 17V 19 – 33V 38 – 66V			
Output (1)	Output voltage: 230 VAC ± 2% Frequency: 50 Hz ± 0,1%			
Cont. output power at 25 °C (VA) (3)	3000	5000	8000	10000
Cont. output power at 25 °C (W)	2500	4500	7000	9000
Cont. output power at 40 °C (W)	2200	4000	6300	8000
Peak power (W)	6000	10000	16000	20000
Maximum efficiency (%)	93 / 94	94 / 94 / 95	96	96
Zero-load power (W)	15 / 15	25 / 25 / 25	35	35
Zero load power in AES mode (W)	10 / 10	20 / 20 / 20	30	30
Zero load power in Search mode (W)	4 / 5	5 / 5 / 6	10	10
CHARGER				
Charge voltage 'absorption' (V DC)	14,4 / 28,8	14,4 / 28,8 / 57,6	57,6	57,6
Charge voltage 'float' (V DC)	13,8 / 27,6	13,8 / 27,6 / 55,2	55,2	55,2
Storage mode (V DC)	13,2 / 26,4	13,2 / 26,4 / 52,8	52,8	52,8
Charge current house battery (A) (4)	120 / 70	200 / 120 / 70	110	140
Charge current starter battery (A)	4 (12V and 24V models only)			
Battery temperature sensor	Yes			
GENERAL				
Auxiliary output (A) (5)	25	50	50	50
Programmable relay (6)	1x	3x	3x	3x
Protection (2)	a-g			
VE.Bus communication port	For parallel and three phase operation, remote monitoring and system integration			
General purpose com. port (7)	1x	2x	2x	2x
Remote on-off	Yes			
Common Characteristics	Operating temp.: -40 to +50 °C Humidity (non condensing): max. 95%			
ENCLOSURE				
Common Characteristics	Material & Colour: aluminium (blue RAL 5012) Protection category: IP 21			
Battery-connection	Four M8 bolts (2 plus and 2 minus connections)			
230 V AC-connection	Screw terminals 13 mm ² (6 AWG)	Bolts M6	Bolts M6	Bolts M6
Weight (kg)	19	34 / 30 / 30	45/41	45
Dimensions (hxxwxd in mm)	362 x 258 x 218	470 x 350 x 280 444 x 328 x 240 444 x 328 x 240	470 x 350 x 280	470 x 350 x 280
STANDARDS				
Safety	EN 60335-1, EN 60335-2-29			
Emission, Immunity	EN55014-1, EN 55014-2, EN 61000-3-3, EN 61000-6-3, EN 61000-6-2, EN 61000-6-1			
1) Can be adjusted to 60 Hz; 120 V 60 Hz on request	3) Non linear load, crest factor 3:1			
2) Protection key:	4) At 25 °C ambient			
a) output short circuit	5) Switches off when no external AC source available			
b) overload	6) Programmable relay that can a. o. be set for general alarm, DC undervoltage or genset start/stop function			
c) battery voltage too high	AC rating: 230V/4A			
d) battery voltage too low	DC rating: 4A up to 35VDC, 1A up to 60VDC			
e) temperature too high	7) A. o. to communicate with a Lithium Ion battery BMS			
f) 230 VAC on inverter output				
g) input voltage ripple too high				



Digital Multi Control Panel

A convenient and low cost solution for remote monitoring, with a rotary knob to set Power Control and Power Assist levels.



Blue Power Panel

Connects to a Multi or Quattro and all VE.Net devices, in particular the VE.Net Battery Controller. Graphic display of currents and voltages.



Computer controlled operation and monitoring

Several interfaces are available:

- **MK2.2 VE.Bus to RS232 converter**
Connects to the RS232 port of a computer (see 'A guide to VEConfigure')
- **MK2-USB VE.Bus to USB converter**
Connects to a USB port (see 'A guide to VEConfigure')
- **VE.Net to VE.Bus converter**
Interface to VE.Net (see VE.Net documentation)
- **VE.Bus to NMEA 2000 converter**
- **VE.Bus to E-PLEX converter**
- **Victron Global Remote**

The Global Remote is a modem which sends alarms, warnings and system status reports to cellular phones via text messages (SMS). It can also log data from Victron Battery Monitors, Multi's, Quattro's and Inverters to a website through a GPRS connection. Access to this website is free of charge.

- **Victron Ethernet Remote**
To connect to Ethernet.



BMV Battery Monitor

The BMV Battery Monitor features an advanced microprocessor control system combined with high resolution measuring systems for battery voltage and charge/discharge current. Besides this, the software includes complex calculation algorithms, like Peukert's formula, to exactly determine the state of charge of the battery. The BMV selectively displays battery voltage, current, consumed Ah or time to go. The monitor also stores a host of data regarding performance and use of the battery.

Several models available (see battery monitor documentation).

MULTIPLUS INVERTER/CHARGER 2KVA AND 3KVA 120V

(120V/60Hz) Lithium Ion battery compatible



Multiplus 24/3000/70

Multi-functional, with intelligent power management

The MultiPlus is a powerful true sine wave inverter, a sophisticated battery charger that features adaptive charge technology, and a high-speed AC transfer switch in a single compact enclosure. Next to these primary functions, the MultiPlus has several advanced features, as outlined below.

Two AC Outputs

The main output has no-break functionality. The MultiPlus takes over the supply to the connected loads in the event of a grid failure or when shore/generator power is disconnected. This happens so fast (less than 20 milliseconds) that computers and other electronic equipment will continue to operate without disruption.

The second output is live only when AC is available on the input of the MultiPlus. Loads that should not discharge the battery, like a water heater for example, can be connected to this output (second output available on models rated at 3kVA and more).

Virtually unlimited power thanks to parallel operation

Up to six Multi's can operate in parallel to achieve higher power output. Six 24/3000/70 units, for example, provide 15kW / 18kVA output power with 420 Amps of charging capacity.

Three phase capability

In addition to parallel connection, three units can be configured for three-phase output. But that's not all: with three strings of six parallel units a 45kW / 54kVA three phase inverter and 1260A charger can be built.

Split phase options

Two units can be stacked to provide 120-0-120V, and additional units can be paralleled up to a total of 6 units per phase, to supply up to 30kW / 36kVA of split phase power.

Alternatively, a split phase AC source can be obtained by connecting our autotransformer (see data sheet on www.victronenergy.com) to a 'European' inverter programmed to supply 240V / 60Hz.

PowerControl - Dealing with limited generator, shore side or grid power

The MultiPlus is a very powerful battery charger. It will therefore draw a lot of current from the generator or shore side supply (nearly 20A per 3kVA MultiPlus at 120VAC). With the Multi Control Panel a maximum generator or shore current can be set. The MultiPlus will then take account of other AC loads and use whatever is extra for charging, thus preventing the generator or shore supply from being overloaded.

PowerAssist - Boosting the capacity of shore or generator power

This feature takes the principle of PowerControl to a further dimension. It allows the MultiPlus to supplement the capacity of the alternative source. Where peak power is so often required only for a limited period, the MultiPlus will make sure that insufficient shore or generator power is immediately compensated for by power from the battery. When the load reduces, the spare power is used to recharge the battery.

Four stage adaptive charger and dual bank battery charging

The main output provides a powerful charge to the battery system by means of advanced 'adaptive charge' software. The software fine-tunes the three stage automatic process to suit the condition of the battery, and adds a fourth stage for long periods of float charging. The adaptive charge process is described in more detail on the Phoenix Charger datasheet and on our website, under Technical Information. In addition to this, the MultiPlus will charge a second battery using an independent trickle charge output intended for a main engine or generator starter battery.

System configuring has never been easier

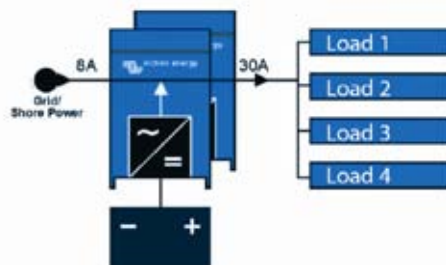
After installation, the MultiPlus is ready to go.

If settings have to be changed, this can be done in a matter of minutes with a DIP switch setting procedure. Even parallel and 3-phase operation can be programmed with DIP switches: no computer needed!

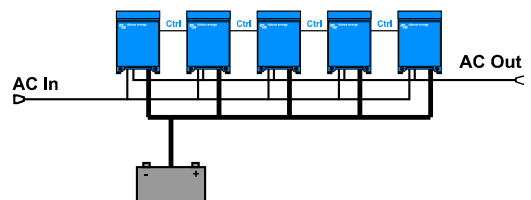
Alternatively, VE.Net can be used instead of the DIP switches.

And sophisticated software (VE.Bus Quick Configure and VE.Bus System Configurator) is available to configure several new, advanced, features.

PowerAssist with 2x MultiPlus in parallel



Five parallel units: output power 12,5 kW



MULTIPLUS INVERTER/CHARGER 2KVA AND 3KVA 120V

MultiPlus	12 Volt 24 Volt	12/2000/80 24/2000/50	12/3000/120 24/3000/70
PowerControl			Yes
PowerAssist			Yes
Transfer switch (A)			50
Parallel and 3-phase operation			Yes
INVERTER			
Input voltage range (V DC)		9,5 – 17 V	19 – 33 V
Output		Output voltage: 120 VAC ± 2%	Frequency: 60 Hz ± 0,1% (1)
Cont. output power at 75 °F (VA) (3)		2000	3000
Cont. output power at 75 °F (W)		1600	2500
Cont. output power at 100 °F (W)		1450	2200
Peak power (W)		4000	6000
Maximum efficiency (%)		92 / 94	93 / 94
Zero-load power (W)		9 / 11	15 / 15
Zero load power in AES mode (W)		7 / 8	10 / 10
Zero load power in Search mode (W)		3 / 4	4 / 5
CHARGER			
AC Input		Input voltage range: 95-140 VAC	Input frequency: 45 – 65 Hz Power factor: 1
Charge voltage 'absorption' (V DC)			14,4 / 28,8
Charge voltage 'float' (V DC)			13,8 / 27,6
Storage mode (V DC)			13,2 / 26,4
Charge current house battery (A) (4)		80 / 50	120 / 70
Charge current starter battery (A)			4
Battery temperature sensor			yes
GENERAL			
Auxiliary output (5)		n. a.	Yes (32A)
Programmable relay (6)		Yes (1x)	Yes (3x)
Protection (2)			a - g
VE.Bus communication port		For parallel and three phase operation, remote monitoring and system integration	
General purpose com. port (7)		n. a.	Yes (2x)
Remote on-off			Yes
Common Characteristics		Operating temp. range: 0 - 120°F (fan assisted cooling)	Humidity (non condensing) : max 95%
ENCLOSURE			
Common Characteristics		Material & Colour: aluminum (blue RAL 5012)	Protection category: IP 21
Battery-connection		M8 bolts	M8 bolts (2 plus and 2 minus connections)
120 V AC-connection		Screw-terminal 6 AWG (13mm ²)	Screw-terminal 6 AWG (13mm ²)
Weight		13kg 25 lbs	19kg 40 lbs
Dimensions (hwxwd in mm and inches)		520x255x125 mm 20.5x10.0x5.0 inch	362x258x218 mm 14.3x10.2x8.6 inch
STANDARDS			
Safety		EN 60335-1, EN 60335-2-29	
Emission Immunity		EN55014-1, EN 55014-2, EN 61000-3-3	
1) Can be adjusted to 60 HZ; 120 V 60 Hz on request		3) Non linear load, crest factor 3:1	
2) Protection key:		4) At 75 °F ambient	
a) output short circuit		5) Switches off when no external AC source available	
b) overload		6) Programmable relay that can a. o. be set for general alarm,	
c) battery voltage too high		DC undervoltage or genset start/stop function	
d) battery voltage too low		AC rating: 230V/4A	
e) temperature too high		DC rating: 4A up to 35VDC, 1A up to 60VDC	
f) 230 VAC on inverter output		7) A. o. to communicate with a Lithium Ion battery BMS	
g) input voltage ripple too high			



Digital Multi Control

A convenient and low cost solution for remote monitoring, with a rotary knob to set Power Control and Power Assist levels.



Blue Power Panel

Connects to a Multi or Quattro and all VE.Net devices, in particular the VE.Net Battery Controller. Graphic display of currents and voltages.



Computer controlled operation and monitoring

Several interfaces are available:

- **MK2.2 VE.Bus to RS232 converter**
Connects to the RS232 port of a computer (see 'A guide to VEConfigure')
- **MK2-USB VE.Bus to USB converter**
Connects to a USB port (see 'A guide to VEConfigure')
- **VE.Net to VE.Bus converter**
Interface to VE.Net (see VE.Net documentation)
- **VE.Bus to NMEA 2000 converter**
- **VE.Bus to E-PLEX converter**
- **Victron Global Remote**
The Global Remote is a modem which sends alarms, warnings and system status reports to cellular phones via text messages (SMS). It can also log data from Victron Battery Monitors, Multi's, Quattro's and Inverters to a website through a GPRS connection. Access to this website is free of charge.
- **Victron Ethernet Remote**
To connect to Ethernet.



BMV Battery Monitor

The BMV Battery Monitor features an advanced microprocessor control system combined with high resolution measuring systems for battery voltage and charge/discharge current. Besides this, the software includes complex calculation algorithms, like Peukert's formula, to exactly determine the state of charge of the battery. The BMV selectively displays battery voltage, current, consumed Ah or time to go. The monitor also stores a host of data regarding performance and use of the battery.

QUATTRO INVERTER/CHARGER 3KVA - 5KVA 120V

(120V/60Hz) Lithium Ion battery compatible

Two AC inputs with integrated transfer switch

The Quattro can be connected to two independent AC sources, for example shore-side power and a generator, or two generators. The Quattro will automatically connect to the active source.

Two AC Outputs

The main output has no-break functionality. The Quattro takes over the supply to the connected loads in the event of a grid failure or when shore/generator power is disconnected. This happens so fast (less than 20 milliseconds) that computers and other electronic equipment will continue to operate without disruption. The second output is live only when AC is available on one of the inputs of the Quattro. Loads that should not discharge the battery, like a water heater for example, can be connected to this output.

Virtually unlimited power thanks to parallel operation

Up to 10 Quattro units can operate in parallel. Ten units 48/5000/70, for example, will provide 45kW / 50kVA output power and 700 Amps charging capacity.

Three phase capability

Three units can be configured for three-phase output. But that's not all: up to 10 sets of three can be parallel connected to provide 135kW / 150kVA inverter power and more than 2000A charging capacity.

Split phase options

Two units can be stacked to provide 120-0-120V, and additional units can be paralleled up to a total of 6 units per phase, to supply up to 30kW / 36kVA of split phase power.

Alternatively, a split phase AC source can be obtained by connecting our autotransformer (see data sheet on www.victronenergy.com) to a 'European' inverter programmed to supply 240V / 60Hz.

PowerControl – Dealing with limited generator, shore-side or grid power

The Quattro is a very powerful battery charger. It will therefore draw a lot of current from the generator or shore side supply (Up to 40A per 5kVA Quattro at 120VAC). A current limit can be set on each AC input. The Quattro will then take account of other AC loads and use whatever is spare for charging, thus preventing the generator or shore supply from being overloaded.

PowerAssist – Boosting shore or generator power

This feature takes the principle of PowerControl to a further dimension allowing the Quattro to supplement the capacity of the alternative source. Where peak power is so often required only for a limited period, the Quattro will make sure that insufficient shore or generator power is immediately compensated for by power from the battery. When the load reduces, the spare power is used to recharge the battery.

Solar energy: AC power available even during a grid failure

The Quattro can be used in off grid as well as grid connected PV and other alternative energy systems.

System configuring has never been easier

After installation, the Quattro is ready to go.

If settings have to be changed, this can be done in a matter of minutes with a new DIP switch setting procedure.

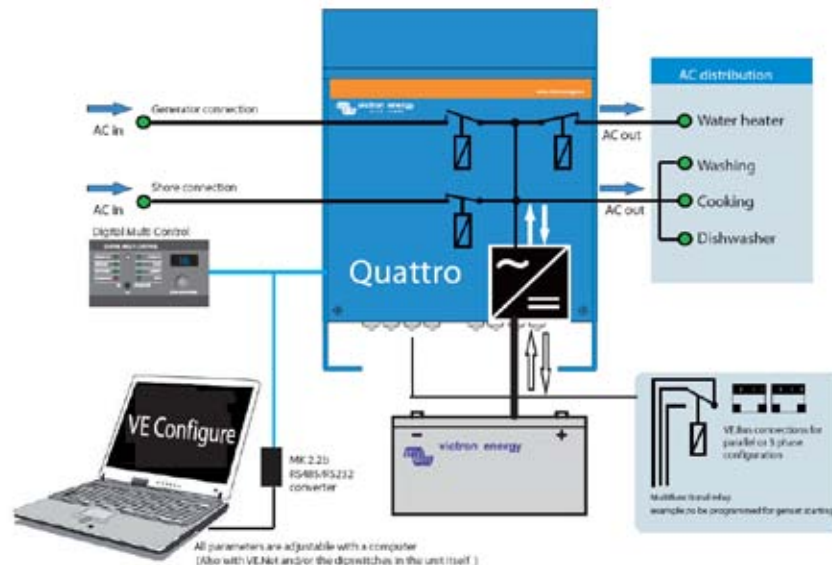
Even parallel and 3-phase operation can be programmed with DIP switches: no computer needed!

Alternatively, VE.Net can be used instead of the DIP switches.

And sophisticated software (VE.Bus Quick Configure and VE.Bus System Configurator) is available to configure several new, advanced, features.



Quattro
24/5000/120-100/100



QUATTRO INVERTER/CHARGER 3KVA - 5KVA 120V

Quattro	12/5000/200-100/100 120V	24/5000/120-100/100 120V	48/3000/35-50/50 120V	48/5000/70-100/100 120V
PowerControl / PowerAssist	Yes			
Integrated Transfer switch	Yes			
AC inputs (2x)	Input voltage range: 90-140 VAC Input frequency: 45 – 65 Hz Power factor: 1			
Maximum feed through current (A)	2x100	2x100	2x50	2x100
INVERTER				
Input voltage range (V DC)	19 – 33	19 – 33	37,2 – 64,4	37,2 – 64,4
Output (1)	Output voltage: 120 VAC ± 2%		Frequency: 60 Hz ± 0,1%	
Cont. output power at 25 °C (VA) (3)	5000	5000	3000	5000
Cont. output power at 25 °C (W)	4500	4500	2500	4500
Cont. output power at 40 °C (W)	4000	4000	2200	4000
Peak power (W)	10000	10000	6000	10000
Maximum efficiency (%)	94	94	94	95
Zero-load power (W)	25	25	15	25
Zero load power in AES mode (W)	20	20	10	20
Zero load power in Search mode (W)	5	5	5	6
CHARGER				
Charge voltage 'absorption' (V DC)	14,4	28,8	57,6	57,6
Charge voltage 'float' (V DC)	13,8	27,6	55,2	55,2
Storage mode (V DC)	13,2	26,4	52,8	52,8
Charge current house battery (A) (4)	200	120	35	70
Charge current starter battery (A)	4	4	n. a.	n. a.
Battery temperature sensor	Yes			
GENERAL				
Auxiliary output (A) (5)	50	50	32	50
Programmable relay (6)	3x	3x	3x	3x
Protection (2)	a-g			
VE.Bus communication port	For parallel and three phase operation, remote monitoring and system integration			
General purpose com. port (7)	Yes, 2x			
Remote on-off	Yes			
Common Characteristics	Operating temp.: -20 to +50 °C Humidity (non condensing): max. 95%			
ENCLOSURE				
Common Characteristics	Material & Colour: aluminium (blue RAL 5012) Protection category: IP 21			
Battery-connection	Four M8 bolts (2 plus and 2 minus connections)			
230 V AC-connection	M6 bolts	M6 bolts	Screw terminals 13 mm ² (6 AWG)	M6 bolts
Weight (kg)	75 lb 34 kg	66 lb 30 kg	42 lb 19 kg	66 lb 30 kg
Dimensions (hwxwd)	18,5 x 14,0 x 11,2 inch 470 x 350 x 280 mm	17,5 x 13,0 x 9,6 inch 444 x 328 x 240 mm	14.3x10.2x8.6 inch 362x258x218 mm	17,5 x 13,0 x 9,6 inch 444 x 328 x 240 mm
STANDARDS				
Safety	EN 60335-1, EN 60335-2-29			
Emission, Immunity	EN55014-1, EN 55014-2, EN 61000-3-3			
1) Can be adjusted to 50 Hz	3) Non linear load, crest factor 3:1			
2) Protection key:	4) At 25 °C ambient 5) Switches off when no external AC source available			
a) output short circuit	5) Switches off when no external AC source available			
b) overload	6) Programmable relay that can be set for general alarm, DC undervoltage or genset start/stop function			
c) battery voltage too high	AC rating: 120V/4A			
d) battery voltage too low	DC rating: 4A up to 35VDC, 1A up to 60VDC			
e) temperature too high	7) A. o. to communicate with a Lithium Ion battery BMS			
f) 120 VAC on inverter output				
g) input voltage ripple too high				



Digital Multi Control

A convenient and low cost solution for remote monitoring, with a rotary knob to set Power Control and Power Assist levels.



Blue Power Panel

Connects to a Multi or Quattro and all VE.Net devices, in particular the VE.Net Battery Controller. Graphic display of currents and voltages.



Computer controlled operation and monitoring

Several interfaces are available:

- **MK2.2 VE.Bus to RS232 converter**
Connects to the RS232 port of a computer (see 'A guide to VEConfigure')
- **MK2-USB VE.Bus to USB converter**
Connects to a USB port (see 'A guide to VEConfigure')
- **VE.Net to VE.Bus converter**
Interface to VE.Net (see VE.Net documentation)
- **VE.Bus to NMEA 2000 converter**
- **VE.Bus to E-PLEX converter**
- **Victron Global Remote**
The Global Remote is a modem which sends alarms, warnings and system status reports to cellular phones via text messages (SMS). It can also log data from Victron Battery Monitors, Multi's, Quattro's and Inverters to a website through a GPRS connection. Access to this website is free of charge.
- **Victron Ethernet Remote**
To connect to Ethernet.

BMV Battery Monitor

The BMV Battery Monitor features an advanced microprocessor control system combined with high resolution measuring systems for battery voltage and charge/discharge current. Besides this, the software includes complex calculation algorithms, like Peukert's formula, to exactly determine the state of charge of the battery. The BMV selectively displays battery voltage, current, consumed Ah or time to go. The monitor also stores a host of data regarding performance and use of the battery.





BLUE POWER BATTERY CHARGER IP20



**Blue Power Battery Charger
IP 20 12/15 (1)**



**Blue Power Battery Charger
IP 20 24/15 (3)**

Adaptive 4-stage charge characteristic: bulk – absorption – float – storage

The Blue Power charger features a microprocessor controlled 'adaptive' battery management. The 'adaptive' feature will automatically optimise the charging process relative to the way the battery is being used.

Less maintenance and aging when the battery is not in use: the Storage Mode

The storage mode kicks in whenever the battery has not been subjected to discharge during 24 hours. In the storage mode float voltage is reduced to 2,2 V/cell (13,2 V for a 12 V battery) to minimise gassing and corrosion of the positive plates. Once a week the voltage is raised back to the absorption level to 'equalize' the battery. This feature prevents stratification of the electrolyte and sulphation, a major cause of early battery failure.

Protected against overheating and silent fan cooling

Output current will reduce as temperature increases up to 60°C, but the Blue Power charger will not fail. The load and temperature controlled fan is practically inaudible

Two LED's for status indication

Yellow LED: bulk charge (blinking fast), absorption (blinking slow), float (solid)
 Green LED: power on

Learn more about batteries and battery charging

To learn more about batteries and charging batteries, please refer to our book 'Energy Unlimited' (available free of charge from Victron Energy and downloadable from www.victronenergy.com).

Blue Power Charger IP 20	12/7 (1) 12/10 (1) 12/15 (1)	12/25 (1) 12/25 (3)	24/5 (1) 24/8 (1)	24/15 (1) 24/15 (3)
Input voltage range	90-265 VAC or 125-350 VDC	180-265 VAC or 250-350 VDC	90-265 VAC or 125-350 VDC	180-265 VAC or 250-350 VDC
Frequency	45-65 Hz or DC			
Number of outputs	1	1 or 3	1	1 or 3
Charge voltage 'absorption' (V DC)	14,4	14,4	28,8	28,8
Charge voltage 'float' (V DC)	14	14	28	28
Charge voltage 'storage' (V DC)	13,2	13,2	26,4	26,4
Charge current (A)	7 / 10 / 15	25	5 / 8	15
Charge characteristic	4-stage adaptive			
Minimum battery capacity (Ah)	24 / 30 / 45	75	16 / 24	45
Can be used as power supply	Yes			
Protection	Battery reverse polarity (fuse)		Output short circuit	Over temperature
Operating temp. range	-20 to +60°C (full rated output up to 40°C)			
Humidity (non condensing)	Max 95 %			
ENCLOSURE				
Material & Colour	Aluminium (blue RAL 5012)			
Battery-connection	Black and red cable of 1,5 meter	Screw terminals 6 mm ²	Black and red cable of 1,5 meter	Screw terminals 6 mm ²
230 V AC-connection	Cable of 1,5 meter with CEE 7/7 or AS/NZS 3112 plug			
Protection category	IP 20			
Weight (kg)	1,3	1,3	1,3	1,3
Dimensions (h x w x d in mm)	50 x 85 x 200	66 x 90 x 235	50 x 85 x 200	66 x 90 x 235
STANDARDS				
Safety	EN 60335-1, EN 60335-2-29			
Emission	EN 55014-1, EN 61000-6-3, EN 61000-3-2			
Immunity	EN 55014-2, EN 61000-6-1, EN 61000-6-2, EN 61000-3-3			

BLUE POWER BATTERY CHARGER WATERPROOF IP65



Blue Power Charger
24V 3A IP65

Completely encapsulated: waterproof, shockproof and ignition protected

Water, oil or dirt will not damage the Blue Power charger. The casing is made of cast aluminium and the electronics are moulded in resin.

Protected against overheating

Can be used in a hot environment such as a machine room. Output current will reduce as temperature increases up to 60°C, but the Blue Power charger will not fail.

Automatic three stage charging

Once the absorption voltage has been reached, the Blue Power charger will switch to float charge 2 hours after the charge current has reduced to a low break point current (see specifications), or after a 20 hour absorption period. The battery is therefore effectively protected against overcharging and can remain permanently connected to the charger. The charger will automatically reset and start a new charge cycle after interruption of the AC supply or after reduction of the output voltage to 12V resp. 24V due to a DC load.

Two LED's for status indication

Yellow LED: battery being charged

Yellow LED and Green LED: absorption charge

Green LED: float charge, the battery is charged

Learn more about batteries and battery charging

To learn more about batteries and charging batteries, please refer to our book 'Energy Unlimited' (available free of charge from Victron Energy and downloadable from www.victronenergy.com).



Blue Power Charger
24V 12A IP65

Blue Power charger Waterproof	12/7	12/17	24/3	24/12
Input voltage range (V AC)	200-265			
Frequency (Hz)	45-65			
Charge voltage 'absorption' (V DC)	14,4	14,4	28,8	28,8
Charge voltage 'float' (V DC)	13,7	13,7	27,4	27,4
Charge current (A)	7	17	3	12
Charge characteristic	3 stage with max. 18 hours absorption time			
Minimum battery capacity (Ah)	15	35	6	24
Breakpoint current (A)	0,7	1,7	0,3	1,2
Can be used as power supply	√	√	√	√
Protection (1)	a,b,c,			
Operating temp. range	-20 to +60°C (full rated output up to 40°C)			
Humidity	Up to 100 %			
ENCLOSURE				
Material & Colour	aluminium (blue RAL 5012)			
Battery-connection	Black and red cable of 1,5 meter			
230 V AC-connection (2)	Cable of 1,5 meter with CEE 7/7 or AS/NZS 3112 plug			
Protection category	IP 65			
Weight (kg)	1,1	1,4	1,1	1,4
Dimensions (h x w x d in mm)	43 x 80 x 155	47 x 99 x 193	43 x 80 x 155	47 x 99 x 193
STANDARDS				
Safety	EN 60335-1, EN 60335-2-29			
Emission Immunity	EN 55014-1, EN 61000-6-3, EN 61000-3-2			
Automotive Directive	EN 55014-2, EN 61000-6-1, EN 61000-6-2, EN 61000-3-3			
1) Protection key: a) Battery reverse polarity (fuse in battery cable) b) Output short circuit c) Over temperature	2) Other plug types on request			

CENTAUR CHARGER 12/24V



**Centaur
Battery Charger 24 30**

Quality without compromise

Aluminium epoxy powder coated cases with drip shield and stainless steel fixings withstand the rigors of an adverse environment: heat, humidity and salt air. Circuit boards are protected with an acrylic coating for maximum corrosion resistance. Temperature sensors ensure that power components will always operate within specified limits, if needed by automatic reduction of output current under extreme environmental conditions.

Universal 90-265V AC input voltage range and also suitable for DC supply (AC-DC and DC-DC operation)

All models will operate without any adjustment needed over a 90 to 265 Volt input voltage range, whether 50 Hz or 60 Hz.

The chargers also accept a 90-400V DC supply.

Three outputs that each can supply the full output current

Three isolated outputs to simultaneously charge 3 battery banks. Each output is capable to supply the full rated current.

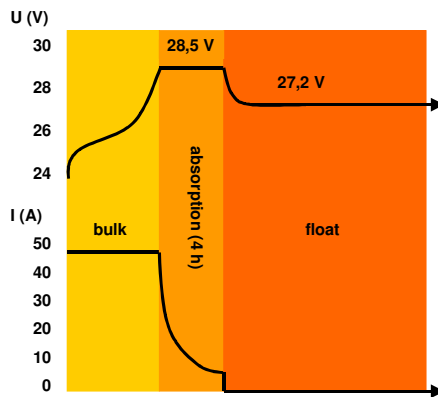
Three stage charging, with temperature compensation

The Centaur charges at bulk rate until the output has reduced to 70 % of the rated Amps, at which a 4 hour timer begins. After the timed period the charger switches to float rate. An internal temperature sensor is used to compensate the charge voltage with $-2 \text{ mV}/^{\circ}\text{C}$ ($-1 \text{ mV}/^{\circ}\text{F}$) per cell. A dip switch is available to select the optimum charge/float voltages for Flooded Lead-acid, Gel or AGM batteries.

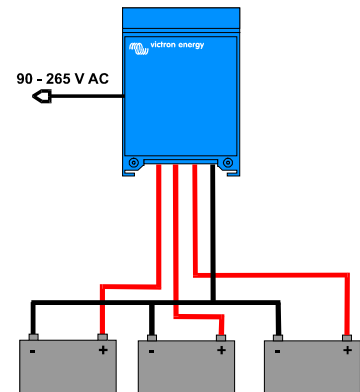
Learn more about batteries and battery charging

To learn more about batteries and charging batteries (including the pro's and con's of multi bank charging and intelligent charging), please refer to our book 'Electricity on Board' (available free of charge from Victron Energy and downloadable from www.victronenergy.com).

Charge curve



Application example



CENTAUR CHARGER 12/24V

Centaur Charger	12/20	12/30 24/16	12/40	12/50	12/60 24/30	12/80 24/40	12/100 24/60	24/80	12/200 24/100
Input voltage (V AC)	90 – 265								
Input voltage (V DC)	90 – 400								
Input frequency (Hz)	45 – 65								
Power factor	1								
Charge voltage 'absorption' (V DC)	14,3 / 28,5 (1)								
Charge voltage 'float' (V DC)	13,5 / 27,0 (1)								
Output banks	3								
Charge current (A) (2)	20	30 / 16	40	50	60 / 30	80 / 40	100 / 60	80	200 / 100
Total output ammeter	Yes								
Charge characteristic	IUoU (Three stage charging)								
Recommended battery capacity (Ah)	80 - 200	120 - 300 45 - 150	160 - 400	200 - 500	240 - 600 120 - 300	320 - 800 160 - 400	400 - 1000 240 - 600	320 - 800	800 - 2000 400 - 1000
Temperature sensor	Internal, - 2mV / °C (- 1 mV / °F) per cell								
Forced cooling	Yes, temperature and current controlled fan								
Protection	Output short circuit, over temperature								
Operating temp. range	- 20 to 60°C (0 - 140°F)								
Ignition protected	Yes								
Humidity (non condensing)	max 95%								
ENCLOSURE									
Material & Colour	aluminium (blue RAL 5012)								
Battery-connection	M6 studs	M6 studs	M8 studs	M8 studs	M8 studs	M8 studs	M8 studs	M8 studs	M8 studs
AC-connection	screw-clamp 4 mm ² (AWG 6)								
Protection category	IP 21								
Weight kg (lbs)	3,8 (8.4)	3,8 (8.4)	5 (11)	5 (11)	5 (11)	12 (26)	12 (26)	16 (35)	16 (35)
Dimensions hxxwxd in mm (hxxwxd in inches)	355x215x110 (14.0x8.5x4.3)	355x215x110 (14.0x8.5x4.3)	426x239x135 (16.8x9.4x5.3)	426x239x135 (16.8x9.4x5.3)	426x239x135 (16.8x9.4x5.3)	505x255x130 (19.9x10.0x5.2)	505x255x130 (19.9x10.0x5.2)	505x255x230 (19.9x10.0x9.1)	505x255x230 (19.9x10.0x9.1)
STANDARDS									
Safety	EN 60335-1, EN 60335-2-29, UL 1236								
Emission Immunity	EN 55014-1, EN 61000-3-2								
Automotive Directive	EN 55014-2, EN 61000-3-3								

1) Standard setting. Optimum charge/float voltages for Flooded Lead-acid, Gel-Cell or AGM batteries selectable by dip switch.

2) Up to 40 °C (100 °F) ambient. Output will reduce to approximately 80 % of nominal at 50 °C (120 °F) and 60 % of nominal at 60 °C (140°F).

Installation made easy



BMV-600 Battery Monitor

The BMV – 600 Battery Monitor features an advanced microprocessor control system combined with high resolution measuring systems for battery voltage and charge/discharge current. Besides this, the software includes complex calculation algorithms, like Peukert's formula, to exactly determine the state of charge of the battery. The BMV – 600 selectively displays battery voltage, current, consumed Ah or time to go.



Battery Alarm

An excessively high or low battery voltage is indicated by an audible and visual alarm.

1. Fasten the separate mounting plate (A) to the wall where you want to place the battery charger, and simply hook up the Centaur.

2. Secure the bottom of the backside (B) to the wall.



PHOENIX BATTERY CHARGER 12/24V



**Phoenix charger
12V 30A**



**Phoenix charger
24V 25A**

Adaptive 4-stage charge characteristic: bulk – absorption – float – storage

The Phoenix charger features a microprocessor controlled 'adaptive' battery management system that can be preset to suit different types of batteries. The 'adaptive' feature will automatically optimise the process relative to the way the battery is being used.

The right amount of charge: variable absorption time

When only shallow discharges occur (a yacht connected to shore power for example) the absorption time is kept short in order to prevent overcharging of the battery. After a deep discharge the absorption time is automatically increased to make sure that the battery is completely recharged.

Preventing damage due to excessive gassing: the BatterySafe mode (see fig. 2 below)

If, in order to quickly charge a battery, a high charge current in combination with a high absorption voltage has been chosen, the Phoenix charger will prevent damage due to excessive gassing by automatically limiting the rate of voltage increase once the gassing voltage has been reached (see the charge curve between 14,4 V and 15,0 V in fig. 2 below).

Less maintenance and aging when the battery is not in use: the Storage mode (see fig. 1 & 2 below)

The storage mode kicks in whenever the battery has not been subjected to discharge during 24 hours. In the storage mode float voltage is reduced to 2,2 V/cell (13,2 V for 12 V battery) to minimise gassing and corrosion of the positive plates. Once a week the voltage is raised back to the absorption level to 'equalize' the battery. This feature prevents stratification of the electrolyte and sulphation, a major cause of early battery failure.

To increase battery life: temperature compensation

Every Phoenix charger comes with a battery temperature sensor. When connected, charge voltage will automatically decrease with increasing battery temperature. This feature is especially recommended for sealed batteries and/or when important fluctuations of battery temperature are expected.

Battery voltage sense

In order to compensate for voltage loss due to cable resistance, Phoenix chargers are provided with a voltage sense facility so that the battery always receives the correct charge voltage.

Universal 90-265V AC input voltage range and also suitable for DC supply (AC-DC and DC-DC operation)

The chargers will accept a 90-400V DC supply.

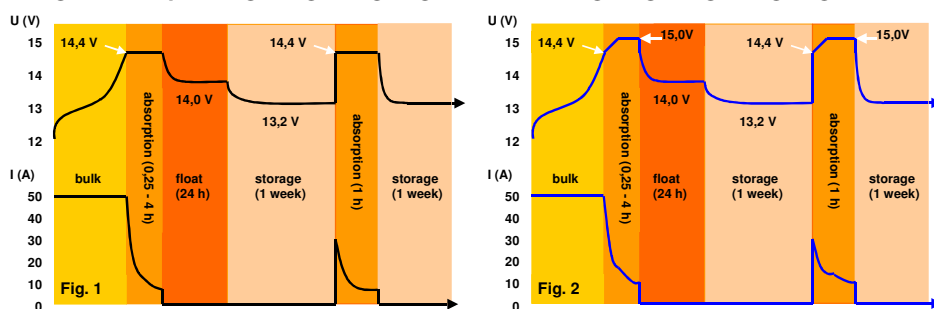
Computer interface

Every Phoenix Charger is ready to communicate with a computer through its RS-485 data port. Together with our [VEConfigure](#) software, which can be downloaded free of charge from our [website www.victronenergy.com](http://www.victronenergy.com) and the data link MK1b (see accessories), all parameters of the chargers can be customised. The chargers can also be connected to [VENet](#), the new power control network of Victron Energy, or to other computerised monitoring and control systems.

Learn more about batteries and battery charging

To learn more about batteries and charging batteries, please refer to our book 'Energy Unlimited' (available free of charge from Victron Energy and downloadable from www.victronenergy.com). For more information about adaptive charging please look under Technical Information on our website.

Charge curves: up to the gassing voltage (fig.1), and exceeding the gassing voltage (fig.2)



PHOENIX BATTERY CHARGER 12/24V

Phoenix Charger	12/30	12/50	24/16	24/25
Input voltage range (V AC)	90-265			
Input voltage range (V DC)	90-400			
Frequency (Hz)	45-65			
Power factor	1			
Charge voltage 'absorption' (V DC)	14,4	14,4	28,8	28,8
Charge voltage 'float' (V DC)	13,8	13,8	27,6	27,6
Storage mode (V DC)	13,2	13,2	26,4	26,4
Charge current house batt. (A) (2)	30	50 (3)	16	25 (3)
Charge current starter batt. (A)	4	4	4	4
Charge characteristic	4 stage adaptive			
Battery capacity (Ah)	100-400	200-800	100-200	100-400
Temperature sensor	√	√	√	√
Can be used as power supply	√	√	√	√
Forced cooling	√	√	√	√
Protection (1)	a,b,c,d			
Operating temp. range	-20 to 60°C (0 - 140°F)			
Humidity (non condensing)	max 95%			
ENCLOSURE				
Material & Colour	aluminium (blue RAL 5012)			
Battery-connection	M6 studs			
AC-connection	screw-clamp 4 mm ² (AWG 6)			
Protection category	IP 21			
Weight kg (lbs)	3,8 (8)			
Dimensions (hwxwd in mm and inches)	350x200x108 mm (13.8x7.9x4.3 inch)			
STANDARDS				
Safety	EN 60335-1, EN 60335-2-29			
Emission Immunity	EN 55014-1, EN 61000-3-2,			
Automotive Directive	EN 55014-2, EN 61000-3-3			
Vibration	IEC68-2-6:10-150Hz/1.0G			
1) Protection key:	2) Up to 40 °C (100 °F) ambient			
a) Output short circuit	c) Battery voltage too high			
b) Battery reverse polarity detection	d) Temperature too high			



Battery Alarm

An excessively high or low battery voltage is indicated by an audible and visual alarm, and potential free contacts.



Phoenix Charger Control

The PCC panel provides remote control and monitoring of the charge process with LED indication of the charger status. In addition, the remote panel also offers output current adjustment that can be used to limit the output current and thus the power drawn from the AC supply. This is particularly useful when operating the charger from limited shore power or small gensets. The panel can also be used to change the battery charging parameters. The brightness of the LED's is automatically reduced during night time. Connection to the charger is with a standard UTP - cable.



Computer controlled operation and monitoring (Victron Interface MK2)

Every Phoenix Charger is ready to communicate with a computer through its RS-485 data port. All you need to link to your PC and be able to set and read out all parameters is the data link as shown. Moreover, all Victron Energy products equipped with an RS-485 data port can easily be integrated in VENet, the power control network of Victron Energy, or to other computerised monitoring and control systems.



BMV 600 Battery Monitor

The BMV 600 Battery Monitor features an advanced microprocessor control system combined with high resolution measuring systems for battery voltage and charge/discharge current. Besides this, the software includes complex calculation algorithms, like Peukert's formula, to exactly determine the state of charge of the battery. The BMV 600 selectively displays battery voltage, current, consumed Ah or time to go.

SKYLLA TG CHARGER 24/48V 230V



Skylla TG 24 50

Perfect chargers for any type of battery

Charge voltage can be precisely adjusted to suit any sealed or unsealed battery system. In particular, sealed maintenance free batteries must be charged correctly in order to ensure a long service life. Overvoltage will result in excessive gassing and venting of a sealed battery. The battery will dry out and fail.

Suitable for AC and DC supply (AC-DC and DC-DC operation)

Except for the 3 phase input models, the chargers also accept a DC supply.

Controlled charging

Every TG charger has a microprocessor, which accurately controls the charging in three steps. The charging process takes place in accordance with the IUoUo characteristic and charges more rapidly than other processes.

Use of TG chargers as a power supply

As a result of the perfectly stabilized output voltage, a TG charger can be used as a power supply if batteries or large buffer capacitors are not available.

Two outputs to charge 2 battery banks

The TG chargers feature 2 isolated outputs. The second output, limited to approximately 4 A and with a slightly lower output voltage, is intended to top up a starter battery.

To increase battery life: temperature compensation

Every Skylla TG charger comes with a battery temperature sensor. When connected, charge voltage will automatically decrease with increasing battery temperature. This feature is especially recommended for sealed batteries which otherwise might be overcharged and dry out due to venting.

Battery voltage sense

In order to compensate for voltage loss due to cable resistance, TG chargers are provided with a voltage sense facility so that the battery always receives the correct charge voltage.

Learn more about batteries and battery charging

To learn more about batteries and charging batteries, please refer to our book 'Energy Unlimited' (available free of charge from Victron Energy and downloadable from www.victronenergy.com).

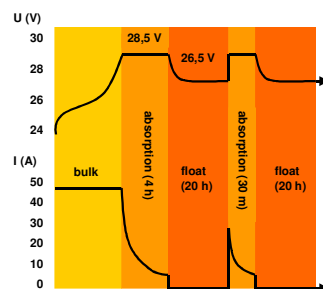


Skylla TG 24 50 3 phase

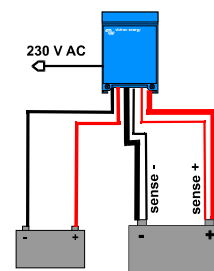


Skylla TG 24 100

Charge curve



Application example



SKYLLA TG CHARGER 24/48V 230V

Skylla	24/30 TG 24/50 TG	24/50 TG 3 phase	24/80 TG	24/100 TG	24/100 TG 3 phase	48/25 TG	48/50 TG
Input voltage (V AC)	230	3 x 400	230	230	3 x 400	230	230
Input voltage range (V AC)	185-264	320-450	185-264	185-264	320-450	185-264	185-264
Input voltage range (V DC)	180-400	n. a.	180-400	180-400	n. a.	180-400	180-400
Frequency (Hz)	45-65						
Power factor	1						
Charge voltage 'absorption' (V DC)	28,5	28,5	28,5	28,5	28,5	57	57
Charge voltage 'float' (V DC)	26,5	26,5	26,5	26,5	26,5	53	53
Charge current house batt. (A) (2)	30 / 50	50	80	100	100	25	50
Charge current starter batt. (A)	4	4	4	4	4	n. a.	n. a.
Charge characteristic	IUoUo (three step)						
Battery capacity (Ah)	150-500	250-500	400-800	500-1000	500-1000	125-250	250-500
Temperature sensor	√						
Can be used as power supply	√						
Remote alarm	Potential free contacts 60V / 1A (1x NO and 1x NC)						
Forced cooling	√						
Protection (1)	a,b,c,d						
Operating temp. range	-20 to 60°C (0 - 140°F)						
Humidity (non condensing)	max 95%						
ENCLOSURE							
Material & Colour	aluminium (blue RAL 5012)						
Battery-connection	M8 studs						
230 V AC-connection	screw-clamp 2,5 mm ² (AWG 6)						
Protection category	IP 21						
Weight kg (lbs)	5,5 (12.1)	13 (28)	10 (22)	10 (22)	23 (48)	5,5 (12.1)	10 (12.1)
Dimensions hxxwxd in mm (hxxwxd in inches)	365x250x147 (14.4x9.9x5.8)	365x250x257 (14.4x9.9x10.1)	365x250x257 (14.4x9.9x10.1)	365x250x257 (14.4x9.9x10.1)	515x260x265 (20x10.2x10.4)	365x250x147 (14.4x9.9x5.8)	365x250x257 (14.4x9.9x10.1)
STANDARDS							
Safety	EN 60335-1, EN 60335-2-29						
Emission	EN 55014-1, EN 61000-3-2						
Immunity	EN 55014-2, EN 61000-3-3						
1) Protection a. Output short circuit b. Battery reverse polarity detection 2) Up to 40°C (100°F) ambient	c. Battery voltage too high d. Temperature too high						



BMV Battery Monitor

The BMV Battery Monitor features an advanced microprocessor control system combined with high resolution measuring systems for battery voltage and charge/discharge current. Besides this, the software includes complex calculation algorithms, like Peukert's formula, to exactly determine the state of charge of the battery. The BMV selectively displays battery voltage, current, consumed Ah or time to go.



Skylla Control

The Skylla Control allows you to alter the charge current and see the system status. Altering the charge current is useful if the shore power fuse is limited: the AC current drawn by the battery charger can be controlled by limiting the maximum output current, thereby preventing the shore power fuse from blowing.



Charger Switch

A remote on-off switch



Battery Alarm

An excessively high or low battery voltage is indicated by an audible and visual alarm.

SKYLLA TG CHARGER 24V 90-265V GL APPROVED



Skylla Charger
24V 50A

Universal 90-265V AC input voltage range and also suitable for DC supply

All models will operate without any adjustment needed over a 90 to 265 Volt input voltage range, whether 50 Hz or 60 Hz.

The chargers will also accept a 90-400V DC supply.

Germanischer Lloyd approval

The Chargers have been approved by Germanischer Lloyd (GL) to environmental category C, EMC 1.

Category C applies to equipment protected from the weather.

EMC 1 applies to conducted and radiated emission limits for equipment installed on the bridge of a ship.

The approval to GL C, EMC1 implies that the Chargers also complies to IEC 60945-2002, category "protected" and "equipment installed on the bridge of a ship".

The GL certification applies to 185-265V AC supply.

Other features

- Microprocessor control
- Can be used as power supply
- Battery temperature sensor for temperature compensated charging
- Battery voltage sensing to compensate for voltage loss due to cable resistance

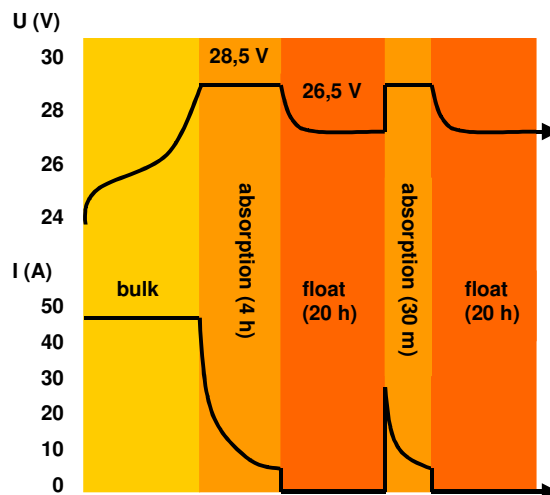
Other Skylla chargers

- Standard 185-265V AC models with additional output to charge a starter battery
- GMDSS models, with all required monitoring and alarm functions.

Learn more about batteries and battery charging

To learn more about batteries and charging batteries, please refer to our book 'Energy Unlimited' (available free of charge from Victron Energy and downloadable from www.victronenergy.com).

Charge curve



SKYLLA TG CHARGER 24V 90-265V GL APPROVED

Skylla-TG	24/30 90-265 VAC	24/50 90-265 VAC	24/100-G 90-265 VAC
Input voltage (V AC)	230	230	230
Input voltage range (V AC)	90-265	90-265	90-265
Input voltage range (V DC)	90-400	90-400	90-400
Frequency (Hz)	45-65 Hz or DC		
Power factor	1		
Charge voltage 'absorption' (V DC)	28,5	28,5	28,5
Charge voltage 'float' (V DC)	26,5	26,5	26,5
Charge current house batt. (A) (2)	30	50	100
Charge current starter batt. (A)	4	4	4
Charge characteristic	IUoUo (three step)		
Battery capacity (Ah)	150-300	250-500	500-1000
Temperature sensor	√		
Can be used as power supply	√		
Remote alarm	Potential free contacts 60V / 1A (1x NO and 1x NC)		
Forced cooling	√		
Protection (1)	a,b,c,d		
Operating temp. range	-20 to 60°C (0 - 140°F)		
Humidity (non condensing)	max 95%		
ENCLOSURE			
Material & Colour	aluminium (blue RAL 5012)		
Battery-connection	M8 studs		
230 V AC-connection	screw-clamp 2,5 mm ² (AWG 6)		
Protection category	IP 21		
Weight kg (lbs)	5,5 (12.1)	5,5 (12.1)	10 (22)
Dimensions hxxwxd in mm (hxxwxd in inches)	365x250x147 (14.4x9.9x5.8)	365x250x147 (14.4x9.9x5.8)	365x250x257 (14.4x9.9x10.1)
STANDARDS			
Vibration	0,7g (IEC 60945)		
Safety	EN 60335-1, EN 60335-2-29, IEC 60945		
Emission	EN 55014-1, EN 61000-3-2, IEC 60945		
Immunity	EN 55014-2, EN 61000-3-3, IEC 60945		
Germanischer Lloyd	Certificate 54 758 – 08HH		
1) Protection key: a) Output short circuit b) Battery reverse polarity detection		2) Up to 40°C (100°F) ambient c) Battery voltage too high d) Temperature too high	



BMV-600 Battery Monitor

The BMV – 600 Battery Monitor features an advanced microprocessor control system combined with high resolution measuring systems for battery voltage and charge/discharge current. Besides this, the software includes complex calculation algorithms, like Peukert's formula, to exactly determine the state of charge of the battery. The BMV – 600 selectively displays battery voltage, current, consumed Ah or time to go.



Skylla Control

The Skylla Control allows you to alter the charge current and see the system status. Altering the charge current is useful if the shore power fuse is limited: the AC current drawn by the battery charger can be controlled by limiting the maximum output current, thereby preventing the shore power fuse from blowing.



Charger Switch

A remote on-off switch



Battery Alarm

An excessively high or low battery voltage is indicated by an audible and visual alarm.

ISOLATION TRANSFORMERS



Isolation Transformer 2000W



Isolation Transformer 3600W



Isolation Transformer 3600W

Safety and prevention of galvanic corrosion

The isolation transformer eliminates any electrical continuity between AC shore power and the boat. It is essential for safety and eliminates the need for galvanic isolators and polarity alarms.

Safety is taken for granted in case of a normal on-shore installation. A fuse will blow or a GFCI (Ground Fault Current Interrupter) will trip in case of a short circuit or current leakage to ground. Connecting the ground wire of the shore-side supply to the metal parts of the boat will result in galvanic corrosion (see below). Bringing only the live and neutral wire on board results in an unsafe situation because GFCI's will not work nor will a fuse blow in case of a short circuit to a metal part on the boat.

Galvanic corrosion occurs when two dissimilar metals in electrical contact are simultaneously exposed to an electrically conducting fluid. Seawater and, to a lesser extent, fresh water are such fluids. In general, the more active alloy of the couple corrodes preferentially while the less active (more noble) material is cathodically protected. The rate of galvanic corrosion is a function of several variables including area ratios, conductivity of the fluid, temperature, nature of the materials, etc.

It is a misunderstanding that galvanic corrosion occurs only in metal and aluminium hulls. In fact it can occur on any boat as soon as a metallic part (the shaft and propeller) is in contact with water. Galvanic corrosion will quickly dissolve your sacrificial anodes, and attack the shaft, propeller and other metal parts in contact with water as soon as the boat is connected to the shore-side supply.

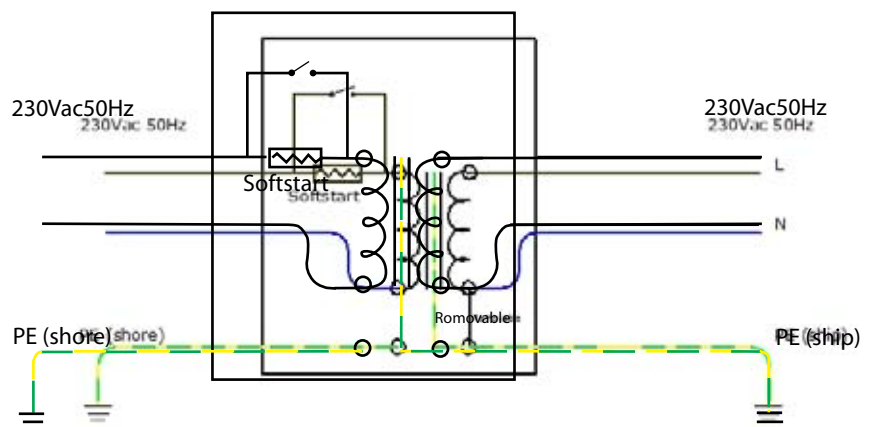
It might therefore be tempting not to connect the ground conductor: this is however extremely dangerous because GFCI's will not work nor will a fuse blow in case of a short circuit to a metal part on the boat.

The best solution to avoid galvanic corrosion and at the same time prevent any unsafe situation is to install an isolation transformer to connect to the shore-side supply.

The isolation transformer eliminates any electrical continuity between shore power and the boat. The shore power is fed to the primary side of the transformer and the ship is connected to the secondary. The isolation transformer completely isolates the boat from the shore ground. By connecting all metal parts to the neutral output on the secondary side of the transformer, a GFCI will trip or a fuse will blow in case of a short circuit.

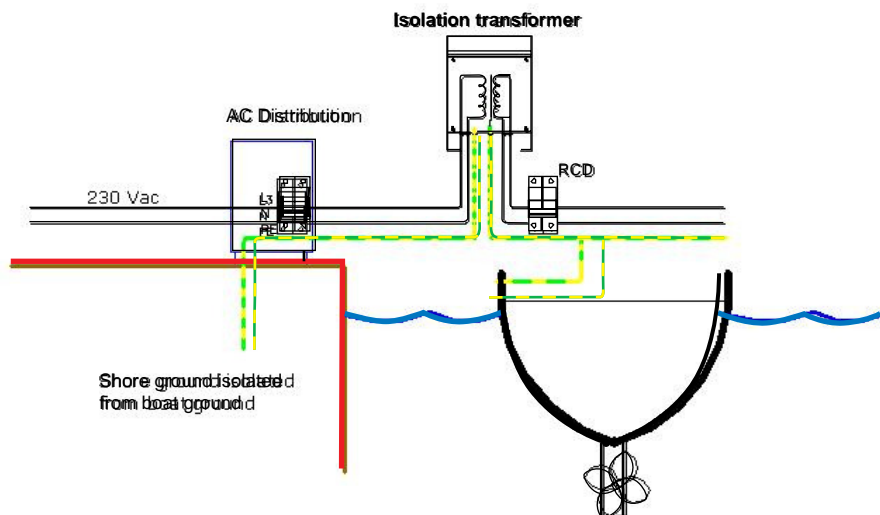
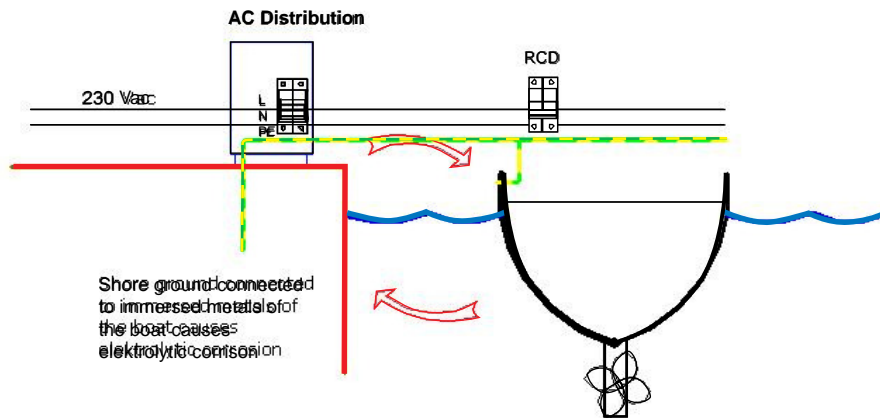
Soft start is a standard feature of a Victron Energy isolation transformer. It will prevent the shore power fuse from blowing due to the inrush current of the transformer, which would otherwise occur.

It is also recommended, for optimal safety, to connect the secondary neutral of the transformer to ground when the boat is out of the water.



ISOLATION TRANSFORMERS

Isolation Transformers	2000 Watt (1)	3600 Watt (1)	7000 Watt
Input and output voltage	115 / 230V	115 / 230V	230 V
Frequency	50/60Hz	50/60Hz	50/60Hz
Rating	17 / 8,5 A	32 / 16 A	32 A
Soft start	Yes		
Transformer type	Toroidal (low noise, low weight)		
Input circuit breaker	yes		
ENCLOSURE			
Common Characteristics	Material: aluminium (blue RAL 5012)		Protection category: IP 21
Weight	10 Kg	23 Kg	28 Kg
Dimensions (h x w x d), mm	375x214x110		362 x 258 x 218
STANDARDS			
Safety	EN 60076		
1) Can be used as: 115 V to 115 V isolation transformer 115 V to 230 V isolation transformer	230 V to 230 V isolation transformer 230 V to 115 V isolation transformer		



ORION DC/DC CONVERTERS



Orion 24/12-5

Possibly the widest range on the market!

An ever-increasing amount of electric equipment is being used on vehicles and boats. Because most low-voltage equipment, such as navigation and radio equipment, mobile telephones or car hi-fi systems, is designed for 12 Volts, Victron Energy supplies DC/DC converters which deliver a stable 12 Volt supply from a 24 Volt system. These products are also distinguished by high efficiency, together with absolute safety. An inferior supply can cause irreparable damage to your 12 Volt system, but the use of an Orion voltage converter prevents such problems.

Next to converters from 24 V to 12 V, a wide range of other models is available.

All models with 13,8 V output can also be used as a 12 V battery charger

For example as a 12 Volt starter or accessory battery in an otherwise 24 V system.

Special 'potted' IP65 model with 12 V / 5 A output

For use in a machine room, under the hood of a truck, etc.

The Orion 12/27,6-12: a 24 V battery charger (see page 2)

To charge a 24 V battery from a 12 V system.

The output voltage of this model can be adjusted with a potentiometer

A super wide input range buck-boost regulator: the Orion 7-35/12-3 (see page 2)

The Orion 7-35/12-3 is an isolated converter with a very wide input range, suitable for both 12 V and 24 V systems, and a fixed 12,6 V output.

Easy to install

Delivery includes 4 Insulated Fastons Female Crimp 6.3mm.



Orion 24/12-17

Non isolated converters	Orion 24/12-5 IP65	Orion 24/12-5	Orion 24/12-8	Orion 24/12-12	Orion 24/12-17	Orion 24/12-20	Orion 24/12-30	Orion 24/12-60	Orion 12/24-7	Orion 12/24-10
Input voltage range (V)	18-35	18-35	18-35	18-35	18-35	20-35	20-35	20-35	9-18	9-18
Output voltage (V)	12	12	13,8	12	12	13,8	13,8	13,8	24	24
Continuous output current (A)	5	5	8	12	17	20	30	60	7	10
Fan assisted cooling (temp. controlled)	no	no	no	no	no	no	yes	yes	no	no
Galvanic isolation	no	no	no	no	no	no	no	no	no	no
Off load current	< 5mA	< 5mA	< 5mA	< 7mA	< 7mA	appr.25mA	appr.25mA	appr.50mA	< 15mA	< 15mA
Temp. increase after 30 min. at full load °C (°F)	30 (85)	30 (85)	20 (70)	30 (85)	30 (85)	25 (75)	33 (90)	33 (90)	30 (85)	30 (85)
Weight kg (lbs)	0,39 (0.86)	0,18 (0.40)	0,25 (0.55)	0,29 (0.65)	0,29 (0.65)	0,48 (1.1)	0,6 (1.3)	1,2 (2.6)	0,3 (0.7)	0,4 (0.9)
Dimensions hxxxd in mm (hxxxd in inches)	45x90x65 (1.8x3.5x2.5)	45x90x65 (1.8x3.5x2.6)	49x88x98 (1.9x3.5x3.9)	45x90x95 (1.8x3.5x3.8)	45x90x95 (1.8x3.5x3.8)	49x88x126 (1.9x3.5x5.0)	49x88x151 (1.9x3.5x6.0)	88x100x180 (3.5x4.0x7.0)	49x88x98 (1.9x3.5x3.9)	49x88x98 (1.9x3.5x3.9)

Notes:

- **Two units Orion 24/12-60 can be connected in parallel to obtain a 120 A converter**
- **Other in- or output voltages at request**
- **All natural convection cooled models can also be modified to IP65**

ORION DC/DC CONVERTERS

Isolated converters	Orion xx/yy-100W	Orion xx/yy-200W	Orion xx/yy-360W
Power rating (W)	100 (12,5V/8A or 24V/4A)	200 (12,5V/16A or 24V/8A)	360 (12,5V/30A or 24V/15A)
Galvanic isolation	yes	yes	yes
Temperature increase after 30 minutes at full load (°C)	25	30	30
Fan assisted cooling (temp. controlled)	no	yes	yes
Weight kg (lbs)	0,5 (1.1)	0,6 (1.3)	1,4 (3.1)
Dimensions hxxxd in mm (hxxxd in inches)	49 x 88 x 152 (1.9 x 3.5 x 6.0)	49 x 88 x 182 (1.9 x 3.5 x 7.2)	64 x 163 x 160 (2.5 x 6.4 x 6.3)
Input voltage (xx): 12 V (9 – 18 V) or 24 V (20 – 35 V) or 48 V (30 – 60 V) or 96 V (60 – 120 V) or 110V (60 – 140V)			
Output voltage (yy): 12,5 V, 24 V or 48V			

Isolated 24V battery charger: Orion 12/27,6-12
 Input 9 – 18 V, output 27,6 V, current limit 12 A, fan assisted cooling
 Output voltage adjustable with potentiometer
 Weight 1,4 kg (3.1 lbs), dimensions 64 x 163 x 160 mm (2.5 x 6.4 x 6.3 inch)

Isolated buck-boost regulator: Orion 7-35/12-3
 Input 7 – 35 V, output 12,6 V current limit 3 A, derate current linearly from 3 A at 18 V to 1,5 A at 7 V
 Weight 1,4 kg (3.1 lbs), dimensions 64 x 163 x 160 mm (2.5 x 6.4 x 6.3 inch)

Common Characteristics	
Output voltage stability	2 % (Orion 12/24-7 and Orion 12/24-10: + 0% / - 5%)
Output voltage tolerance	3 %
Output noise	< 50 mV rms
Off load current	< 25 mA (isolated converters)
Efficiency	Non isolated: appr. 92% Isolated: appr. 85%
Isolation	> 400 Vrms between input, output and case (isolated products only)
Operating temperature	- 20 to + 30°C (0 to 90°F). Derate linearly to 0 A at 70°C (160°F)
Humidity	Max 95% non condensing
Casework	Anodised aluminum
Connections	6.3 mm (2.5 inch) push-on flat blade connectors
Protection: Overcurrent Overheating Reverse polarity conn. Overvoltage	Short circuit proof Reduction of output voltage Fuse and reverse connected diode across input Varistor (also protects against load dump)
Standards: Emission Immunity Automotive Directive	EN 50081-1 EN 50082-1 95/45/EC



Orion isolated 100W



Orion isolated 360W





BLUE POWER PANEL



Blue Power Panel GX



Blue Power Panel 2

Blue Power Panel

The Blue Power Panel provides intuitive control for all devices connected to the VE.Net network. It can be used to view and configure the full range of settings on VE.Net devices. Furthermore, its fully customizable overview screens make it the ideal monitoring tool for your power system.

The BPP now features an integrated VE.Net to VE.Bus Converter (VVC). This allows you to combine the powerful control of the VE Configure software with the simple interface of the BPP, without requiring a computer or additional interface devices.

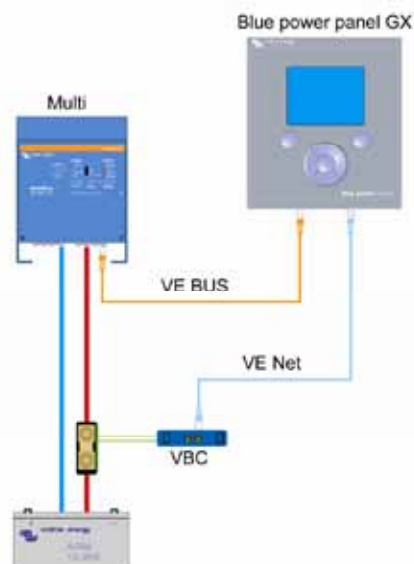
BPP2 and BPP GX

The Blue Power Panel 2 and the Blue Power Panel GX almost have the same features. The difference between the two models is the design and the mounting of the panel. The body of the GX panel is made of plastic, which makes the panel lighter and adds a modern look to the panel. An extra advantage of the GX panel is the easy mounting: the included mounting frame allows the user to mount the panel from either front or back side. Due to the mounting frame, the mounting holes will no longer be in sight.

Features

- Full control & monitoring of all connected VE.Net devices
- Integrated VE.Net to VE.Bus Converter (VVC)
- Real-time system status read-outs
- Customizable overview screens
- Special mounting frame for front or back side mounting (only GX-model)
- Easy to install

	Blue Power Panel GX	Blue Power Panel 2
Power supply voltage range	9 – 70 V DC	
Current draw @ 12 V (VVC disabled)		
Standby	<1mA	
Backlight off	55mA	
Backlight on	70mA	
Current draw @ 12 V (VVC enabled)		
Standby	<1mA	
Backlight off	70mA	
Backlight on	85mA	
Operating temp. range	-20 – +50°C	
Potential free contact	3A/30VDC/250V AC (Normally Open)	
ENCLOSURE		
Material & Colour	plastic	aluminium
Measurements front panel (w x h)	120 x 130 mm (Standard PROS2 Panel)	
Measurements body (w x h)	100 x 110 mm	
Weight	0.28 Kg	



CYRIX-I 12/24V 120A AND 225A



Cyrix-i 12/24-120

Intelligent battery monitoring to prevent unwanted switching

Some battery combiners (also called voltage controlled relay, or split charge relay) will disconnect a battery in case of a short but high amperage load. A battery combiner also may fail to connect a large but discharged battery bank because the DC voltage immediately drops below the disengage value once the batteries are connected.

The software of the Cyrix-i 12/24 does more than simply connect and disconnect based on battery voltage and with a fixed time delay. The Cyrix-i 12/24 looks at the general trend (voltage increasing or decreasing) and reverses a previous action only if the trend has reversed during a certain period of time. The time delay depends on the voltage deviation from the trend.

(for Battery Combiners with multiple engage/disengage profiles, please see the Cyrix-i 200A-400A)

12/24V auto ranging

The Cyrix-i 12/24 automatically detects system voltage.

No voltage loss

Cyrix battery combiners are an excellent replacement for diode isolators. The main feature is that there is virtually no voltage loss so that the output voltage of alternators or battery chargers does not need to be increased.

Prioritising the starter battery

In a typical setup the alternator is directly connected to the starter battery. The accessory battery, and possibly also a bow thruster and other batteries are each connected to the starter battery with Cyrix battery combiners. When a Cyrix senses that the starter battery has reached the connect voltage it will engage, to allow for parallel charging of the other batteries.

Bidirectional voltage sensing and power supply from both batteries

The Cyrix senses the voltage of both connected batteries. It will therefore also engage if for example the accessory battery is being charged by a battery charger.

The Cyrix-i 12/24 has a dual power supply. It will therefore also close if the voltage on one battery is too low to operate the Cyrix.

In order to prevent unexpected operation during installation or when one battery has been disconnected, the Cyrix-i 12/24 will not close if the voltage on one of the two battery connections is lower than 2V (12V battery) or 4V (24V battery).

Parallel connection in case of emergency (Start Assist)

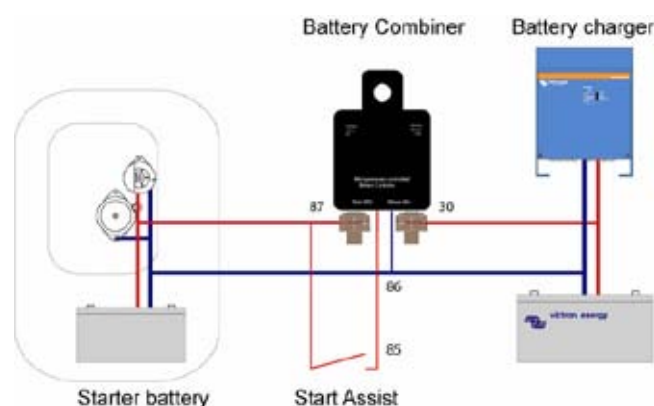
The Cyrix can also be engaged with a push button (Cyrix remains engaged during 30 seconds) or a switch to connect batteries in parallel manually.

This is especially useful in case of emergency when the starter battery is discharged or damaged.



Cyrix-i 12/24-225

Cyrix battery combiner	Cyrix-i 12/24-120	Cyrix-i 12/24-225
Continuous current	120 A	225 A
Cranking rating (5 seconds)	180 A	500 A
Connect voltage	From 13V to 13,8V and 26 to 27,6V with intelligent trend detection	
Disconnect voltage	From 11V to 12,8V and 22 to 25,7V with intelligent trend detection	
Current consumption when open	<4 mA	
Start Assist	Yes (Cyrix remains engaged during 30 seconds)	
Protection category	IP54	
Weight kg (lbs)	0,11 (0.24)	0,66 (1.45)
Dimensions h x w x d in mm (h x w x d in inches)	46 x 46 x 80 (1.8 x 1.8 x 3.2)	100x90x100 (4.0x3.5x4.0)



CYRIX-I 200A-400A 12/24V AND 24/48V



Cyrix-i 24/48V 400A

New: intelligent battery monitoring to prevent unwanted switching

Some battery combiners will disconnect a battery in case of a short but high amperage load. A battery combiner also may fail to connect a large but discharged battery bank because the DC voltage immediately drops below the disengage value once the batteries are connected.

The software of the Cyrix-i does more than simply connect and disconnect based on battery voltage and with a fixed time delay. The Cyrix-i looks at the general trend (voltage increasing or decreasing) and reverses a previous action only if the trend has reversed during a certain period of time. The time delay depends on the voltage deviation from the trend.

In addition, four switch timing profiles can be chosen (see back page).

12/24V and 24/48V auto ranging

The Cyrix-i automatically detects system voltage.

No voltage loss

Cyrix battery combiners are an excellent replacement for diode isolators. The main feature is that there is virtually no voltage loss so that the output voltage of alternators or battery chargers does not need to be increased.

Prioritising the starter battery

In a typical setup the alternator is directly connected to the starter battery. The accessory battery, and possibly also a bow thruster and other batteries are each connected to the starter battery with Cyrix battery combiners. When a Cyrix senses that the starter battery has reached the connect voltage it will engage, to allow for parallel charging of the other batteries.

Bidirectional voltage sensing and power supply from both batteries

The Cyrix senses the voltage of both connected batteries. It will therefore also engage if for example the accessory battery is being charged by a battery charger.

The Cyrix-i has a dual power supply. It will therefore also close if the voltage on one battery is too low to operate the Cyrix.

In order to prevent unexpected operation during installation or when one battery has been disconnected, the Cyrix-i will not close if the voltage on one of the two battery connections is lower than 2V (12V battery), or 4V (24V battery) or 8V (48V battery).

Parallel connection in case of emergency

The Cyrix can also be engaged with a push button (Cyrix remains engaged during 30s) or a switch to connect batteries in parallel manually.

This is especially useful in case of emergency when the starter battery is discharged or damaged.

Model	Cyrix-i 12/24-200 Cyrix-i 24/48-200	Cyrix-i 12/24-400 Cyrix-i 24/48-400
Continuous current	200A	400A
Peak current	1000A during 1 second	2000A during 1 second
Input voltage 12/24V model	8-36VDC	8-36VDC
Input voltage 24/48V model	16-72VDC	16-72VDC
Connect/disconnect profiles	See table	See table
Over voltage disconnect	16V / 32 / 64V	16V / 32 / 64V
Current consumption when open	4 mA	4 mA
Emergency start	Yes, 30s	Yes, 30s
Micro switch for remote monitoring	Yes	Yes
Status indication	Bicolor LED	Bicolor LED
Weight kg (lbs)	0,9 (2.0)	0,9 (2.0)
Dimensions h x w x d in mm (h x w x d in inches)	78 x 102 x 110 (3.1 x 4.0 x 4.4)	78 x 102 x 110 (3.1 x 4.0 x 4.4)

CYRIX-I 200A-400A 12/24V AND 24/48V

Profile 0			
Connect (V)*		Disconnect (V)*	
Less than 13V	Remains open	More than 12,8V	Remains closed
	Closes after		Closes after
13V	10 min	12,8V	10 min
13,2V	5 min	12,4V	5 min
13,4V	3 min	12,2V	1 min
13,6V	1 min	12V	4 sec
13,8V	4 sec	Less than 11V	Immediate

Profile 1			
Connect (V)*		Disconnect (V)*	
Less than 13,25V	Remains open	More than 12,75V	Remains closed
More than 13,25V	Closes after 30 sec	From 10,5V to 12,75V	Opens after 2 min
		Less than 10,5V	Immediate

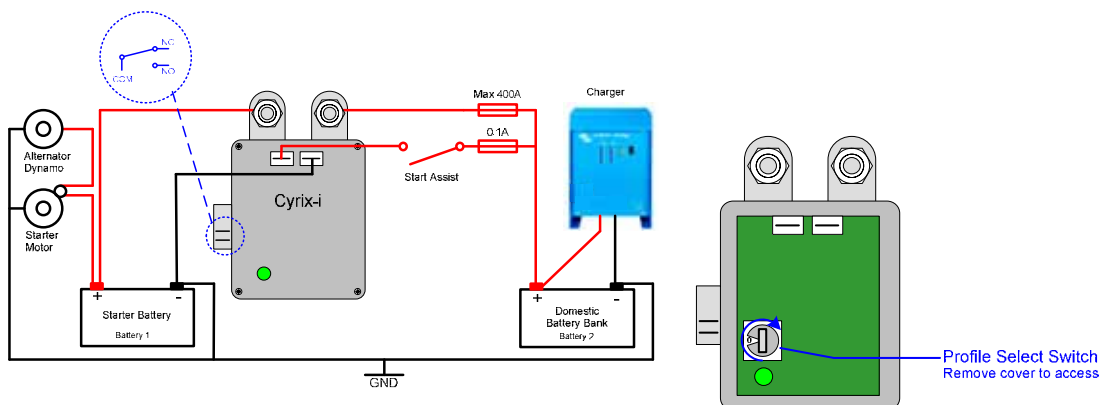
Profile 2			
Connect (V)*		Disconnect (V)*	
Less than 13,2V	Remains open	More than 12,8V	Remains closed
More than 13,2V	Closes after 6 sec	From 10,5V to 12,8V	Opens after 30 sec
		Less than 10,5V	Immediate

Profile 3			
Connect (V)*		Disconnect (V)*	
Less than 13,25V	Remains open	More than 13,5V	Remains closed
	Closes after		Opens after
13V	10 min	12,8V	30 min
13,2V	5 min	12,4V	12 min
13,4V	3 min	12,2V	2 min
13,6V	1 min	12V	1 min
13,8V	4 sec	Less than 10,5V	Immediate

NOTES

- 1) After connecting 3 times, the minimum time to reconnect is 1 minute (to prevent "rattling")
- 2) The Cyrix will not connect if the voltage on one of the battery connections is less than 2V*. (to prevent unexpected switching during installation)
- 3) The Cyrix will always connect if the **start assist** is activated, as long as the voltage on one of the battery connections is sufficient to operate the Cyrix (approximately 10V*).

* Multiply voltage x2 for 24V systems and x4 for 48V systems



VICTRON GLOBAL REMOTE 2 AND VICTRON ETHERNET REMOTE



Victron Global Remote 2: A GSM/GPRS modem

The Global Remote is a modem which sends alarms, warnings and system status reports to cellular phones via text messages (SMS). It can also log data from Victron Battery Monitors, Multi's, Quattro's and Inverters to a website through a GPRS connection. The usage of this website is free of charge.

Victron Ethernet Remote: A GSM/GPRS modem with Ethernet connection

The Ethernet Remote has the same functions as the Global Remote. An extra function of the Ethernet Remote is that it can connect with LAN, due to a special cable. In this way, the Ethernet Remote can be connected to the internet without a SIM-card.

Simple and easy to use

The idea is simple: you can use it to get SMS alarms from a Multi, a Battery System, or both. When monitoring the usage of batteries, it can be extremely helpful to receive under and overvoltage alarms; whenever they occur. For this purpose, the Global Remote is perfect. A prepaid SIM-card (for example) in combination with the Global Remote is adequate for remotely monitoring your system.

Connections Global Remote

The Global Remote has two serial connections. The can be used to connect to a VE.Bus Multi/Quattro/Inverter unit or system. This connection needs a MK2 which is supplied with the VGR. The other connection is to connect a BMV-600S or BMV-602S Battery Monitor. To connect it to a BMV you will also need the connection kit accessory which needs to be purchased separately. The Global Remote also has a connection for an optional accessory, the VGR IO Extender.

Connections Ethernet Remote

The Ethernet Remote has one serial connection. This can be used to connect to a VE.Bus Multi/Quattro/Inverter unit or system, or a BMV Battery Monitor. To connect it to a BMV you will also need the connection kit accessory which needs to be purchased separately.

Advanced usage: Monitoring historic data

Taking it one step further, an internet browser and -connection is all you need to view all of the data online. You can simply create an account on the website and add your modem(s). Subsequently you can configure the GPRS connection, which will enable you to monitor the historic data of several basic properties such as system voltages, power levels and status information. All of this data is graphed. These graphs are available in daily, weekly and monthly timeframes.

Victron Remote Management

Victron Remote Management is the name of the system which consists of the VGR and the monitoring website. To get a preview: please go to <https://vrm.victronenergy.com>, and login with below details.

Username: demo@victronenergy.com

Password: vrmdemo



Victron Global Remote 2

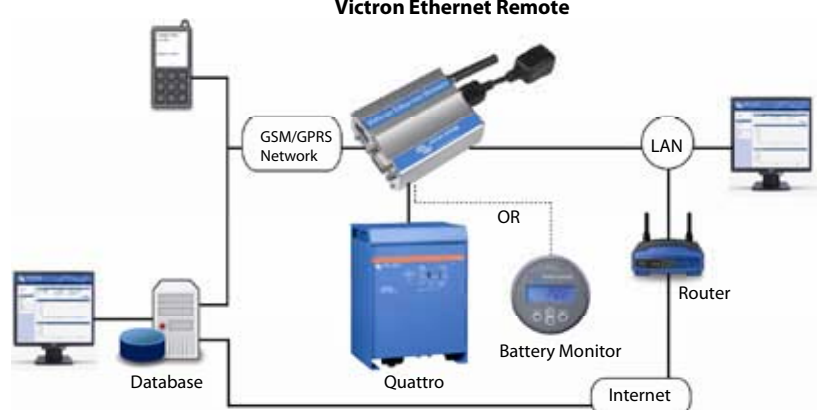


Victron Ethernet Remote

Victron Global Remote 2



Victron Ethernet Remote



VICTRON GLOBAL REMOTE 2 AND VICTRON ETHERNET REMOTE

	Victron Global Remote 2	Victron Ethernet Remote
Serial connection (Mk2.2a – included)	Connect VE.Bus Multi/Quattro/Inverter unit/system	
Serial connection (BMV-602 Datalink – not included)	Connect BMV-602 Battery Monitor	
	GENERAL	
Power supply voltage range	5.5 to 32VDC	
Current draw (max.)	0.48A at 5.5VDC	
Current draw (connected to GSM network)	90mA at 12VDC and 50mA at 24 VDC	
Operating temperature range	-30° to 75° C. / -22° to 167° F.	
	ENCLOSURE	
Dimensions VGR Modem (h×w×d)	73 x 54.5 x 25.5 mm / 2.9 x 2.1 x 1 inch	
Weight VGR Modem	89 grams / 3.1 ounces	
Body	Aluminium	
Installation	Two aluminum mounting bridles	
	GSM / GPRS	
GPRS data usage	Depends on usage	
	INCLUDED ACCESSORIES	
GSM antenna	Included	Included
Ethernet attachment	n.a.	Included
Battery cable	With inline fuse	Included
Y-cable for serial and IO Extender connection	Included	Included
Male DB15 to female DB9 cable	Included	Included
MK2 interface	Included	Included
	OPTIONAL ACCESSORIES (NOT INCLUDED, TO BE ORDERED SEPARATELY)	
Global Remote to BMV-60xS conn. kit	Compatible	Compatible
VGR IO Extender	Compatible	Not compatible



BMV-6005 and 602S
 The BMV-6005 and 602S are our newest high precision battery monitors. The essential function of a battery monitor is to calculate ampere-hours consumed as well as the state of charge of a battery. Ampere-hours consumed are calculated by integrating the current flowing in or out of the battery.



Global Remote to BMV-60xS conn. kit
 Cable kit required to connect the BMV-60xS and the Victron Global Remote. BMV 60xS Data Link included.



MultiPlus Inverter/Charger
 The MultiPlus is a powerful true sine wave inverter, a sophisticated battery charger that features adaptive charge technology, and a high-speed AC transfer switch in a single compact enclosure.

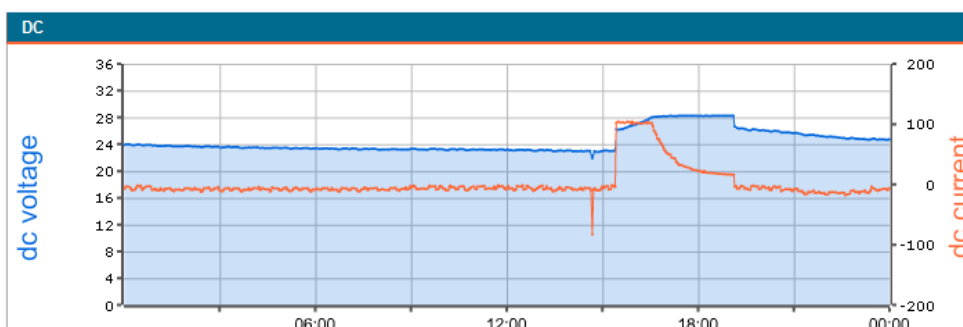


Phoenix Inverter
 Pure sinwave output, high peak power and high efficiency. Combined high frequency and line frequency technologies ensure the best of both worlds.



Quattro Inverter/Charger
 The Quattro can be connected to two independent AC sources, for example shore-side power and a generator, or two generators. The Quattro will automatically connect to the active source.

Example of graph available on <https://vrm.victronenergy.com>



PRECISION BATTERY MONITORING



BMV 600S

Precision monitoring

The essential function of a battery monitor is to calculate ampere-hours consumed and the state of charge of a battery. Ampere-hours consumed is calculated by integrating the current flowing in or out of the battery. In case of a constant current, this integration is equivalent to current multiplied by time. A discharge current of 10A during 2 hours, for example, amounts to 20Ah consumed. All our battery monitors are based on a powerful microprocessor, programmed with the algorithms needed for precision monitoring.

Standard information and alarms

- Battery voltage (V).
- Battery charge/discharge current (A).
- Ampere-hours consumed (Ah).
- State of charge (%).
- Time to go at the current rate of discharge.
- Visual and audible alarm: over- and under voltage, and/or battery discharged.
- Programmable alarm or generator start relay.



BMV bezel square

BMV 600S: low cost ultra high resolution monitor

- Highest resolution: 10mA (0,01A) with 500A shunt.
- Can be used with 50, 60 or 100mV shunts, current rating from 100A to 1000A
- Lowest current consumption: 4mA @12V and 3mA @ 24V.
- Easiest to wire: the BMV 600S comes with shunt, 10 meter RJ 12 UTP cable and 2 meter battery cable with fuse; no other components needed.
- Easiest to install: separate front bezel for square or round appearance; ring for rear mounting and screws for front mounting.
- Broadest voltage range: 9.5 – 95 VDC without prescaler needed.
- Communication port (Isolated RS232 interface is needed to connect to a computer)



BMV shunt 500A/50mV
With quick connect pcb

BMV 602S: two batteries

In addition to all the features of the BMV600S, the BMV602S can measure the voltage of a second battery. A version with a black front bezel (BMV 602S Black) is also available.

BMV 600HS: 70 to 350VDC voltage range

No prescaler needed. Note: suitable for systems with grounded minus only (battery monitor is not isolated from shunt).

Optional Isolated RS232 communication interface and software

(for all BMV models) Displays all information on a computer and loads charge/discharge data in an Excel file for graphical display.

VE.Net Battery Controller: any number of batteries

- One VE.Net panel or Blue Power panel will connect to any number of battery controllers.
- Comes with 500A/50mV shunt and can be programmed for 50, 60 or 100mV shunts, current rating from 100A to 10.000A.
- With use, abuse and data memory.
- Temperature sensor and connection kit included.



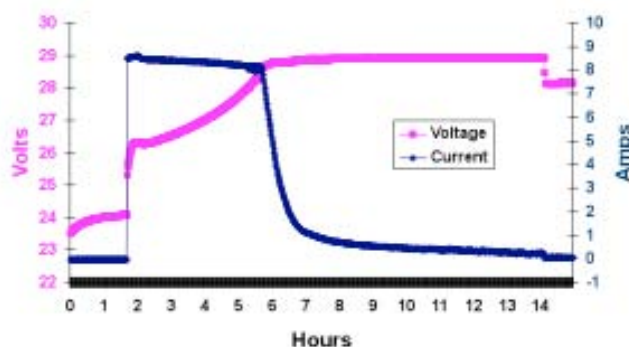
BMV 602S Black

High voltage VE.Net Battery Controller: 70 to 350VDC

No prescaler needed. Note: RJ45 connectors are galvanically isolated from Controller and shunt.



VE.Net Battery Controller



Example of a battery charge curve recorded with a BMV 602 and VEBat software

PRECISION BATTERY MONITORING

Battery monitor	BMV 600S	BMV 602S & BMV 602S BLACK	BMV 600HS	VE. Net Battery Controller	VE. Net High Voltage Battery Controller
Power supply voltage range	9.5 - 90 VDC	9.5 - 90 VDC	70 - 350 VDC	7 - 75 VDC	70 - 350 VDC ¹
Current draw, back light off	< 4 mA	< 4 mA	< 4 mA	< 5 mA	< 4 mA
Input voltage range (VDC)	9.5 - 95 VDC	9.5 - 95 VDC	70 - 350 VDC	0 - 75 VDC	0 - 350 VDC
Battery capacity (Ah)	20 - 9.999 Ah			20 - 60.000 Ah	
Operating temperature range	-20 +50°C (0 - 120°F)				
Measures voltage of second battery	No	Yes	Yes	Yes	
Communication port	Yes	Yes	Yes	Yes (VE.Net)	
Potential free contacts	60V/1A (N/O)				
RESOLUTION (with a 500 A shunt)					
Current	± 0,01 A			± 0,1 A	
Voltage				± 0,01 V	
Amp hours				± 0,1 Ah	
State of charge (0 - 100 %)				± 0,1 %	
Time to go				± 1 min	
Temperature (0 - 50°C or 30 - 120°F)	n. a.			± 1°C (± 1°F)	
Accuracy of current measurement				± 0,3 %	
Accuracy of voltage measurement				± 0,4 %	
INSTALLATION & DIMENSIONS					
Installation	Flush mount			DIN rail	
Front	63 mm diameter			22 X 75 mm (0.9 x 2.9 inch)	
Front bezel	69 x 69 mm (2.7 x 2.7 inch)			n. a.	
Body diameter	52mm (2.0 inch)			n. a.	
Body depth	31mm (1.2 inch)			105 mm (4.1 inch)	
ACCESSORIES					
Shunt (included)	500 A / 50 mV ²			500 A / 50 mV ³	
Cables (included)	10 meter 6 core UTP with RJ12 connectors, and cable with fuse for '+' connection			Supplied with 1 m cables	
Temperature sensor	n. a.			Supplied with 3 m cable	
Computer interface	optional			n.a.	
1) 7 - 75 VDC needed for VE.Net network power supply 2) HV version with shunt in plastic enclosure 3) HV version with shunt + Controller in plastic enclosure					



Victron Global Remote

The Global Remote is a modem which sends alarms, warnings and system status reports to cellular phones via text messages (SMS). It can also log data from Victron Battery Monitors, MultiPlus units, Quattro's and Inverters to a website through a GPRS connection. Access to this website is free of charge.



Victron Global Remote to BMV 60xS Connection Kit

Cable kit required to connect the BMV and the Victron Global Remote. BMV Data Link included.



Blue Power panel

The VE.Net Blue Power Panel is the panel that connects to the VE.Net Battery Controller. The panel can show the information of multiple batteries on one display for simple and efficient monitoring of your battery systems. For our other VE.Net products please refer to our VE.Net datasheet.



1000A/50mV shunt

For ease of use with BMV series: quick connect pcb of standard 500A/50mV shunt can be mounted on this shunt.



2000A/50mV shunt

For ease of use with BMV series: quick connect pcb of standard 500A/50mV shunt can be mounted on this shunt.

ARGO DIODE BATTERY ISOLATORS



**Argo Diode Isolator
120-2AC**



**Argo Diode Isolator
140-3AC**

Diode battery isolators allow simultaneous charging of two or more batteries from one alternator, without connecting the batteries together. Discharging the accessory battery for example will not result in also discharging the starter battery.

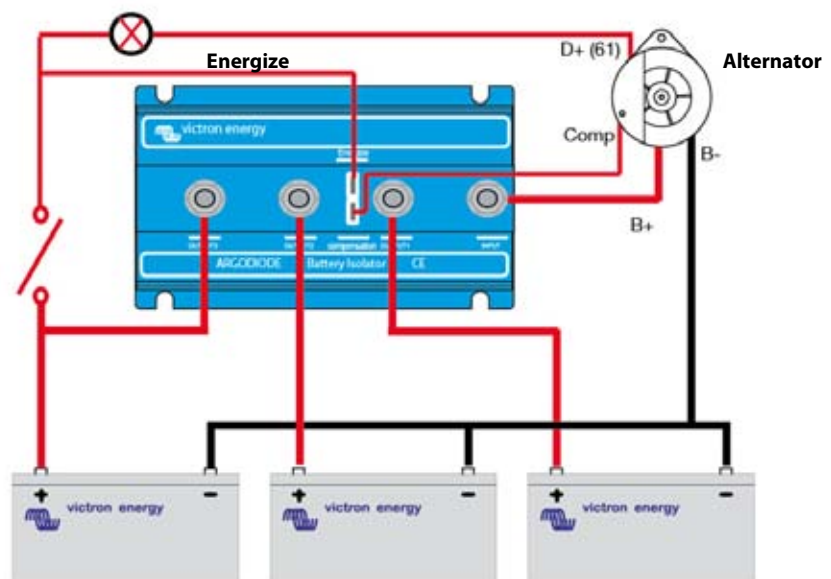
The Argo battery isolators feature a low voltage drop thanks to the use of Schottky diodes: at low current the voltage drop is approximately 0,3 V and at the rated output approximately 0,45 V. All models are fitted with a compensation diode that can be used to slightly increase the output voltage of the alternator. This compensates for the voltage drop over the diodes in the isolator.

Please see our book 'Energy Unlimited' or ask for specialist advice when installing a diode isolator. Simply inserting the isolator in the cabling between the alternator and the batteries will slightly reduce charge voltage. The result can be that batteries are not charged to the full 100% and age prematurely.

Alternator energize input

Some alternators need DC voltage on the B+ output to start charging. Obviously, DC will be present when the alternator is directly connected to a battery. Inserting a Diode or FET splitter will however prevent any return voltage/current from the batteries to the B+, and the alternator will not start. The new 802AC diode isolators feature a special current limited energize input that will power the B+ when the engine run/stop switch is closed.

Argo Diode Battery Isolator	80-2AC	100-3AC	120-2AC	140-3AC	160-2AC	1603SC
Maximum charge current (A)	80	100	120	140	160	160
Maximum alternator current (A)	80	100	120	140	160	160
Number of batteries	2	3	2	3	2	3
Alternator Energize Input	yes	yes	yes	yes	yes	no
Connection	M6 Studs	M6 Studs	M8 Studs	M8 Studs	M8 Studs	M8 Studs
Compensation diode and Energize connection	6,3 mm Faston	6,3 mm Faston	6,3 mm Faston	6,3 mm Faston	6,3 mm Faston	M4 Stud
Weight kg (lbs)	0,6 (1.3)	0,8 (1.8)	0,8 (1.8)	1,1 (2.5)	1,1 (2.5)	1,5 (3.3)
Dimensions h x w x d in mm (h x w x d in inches)	60 x 120 x 90 (2.4 x 4.7 x 3.6)	60 x 120 x 115 (2.4 x 4.7 x 4.5)	60 x 120 x 115 (2.4 x 4.7 x 4.5)	60 x 120 x 150 (2.4 x 4.7 x 5.9)	60 x 120 x 150 (2.4 x 4.7 x 5.9)	60 x 120 x 200 (2.4 x 4.7 x 7.9)



ARGO FET BATTERY ISOLATORS



**Argo FET 100-3
3bat 100A**

Similarly to diode battery isolators, FET isolators allow simultaneous charging of two or more batteries from one alternator (or a single output battery charger), without connecting the batteries together. Discharging the accessory battery for example will not result in also discharging the starter battery.

In contrast with diode battery isolators, FET isolators have virtually no voltage loss. Voltage drop is less than 0,02 Volt at low current and averages 0,1 Volt at higher currents.

When using ARGO FET Battery Isolators, there is no need to also increase the output voltage of the alternator. Care should be taken however to keep cable lengths short and of sufficient cross section.

Example:

When a current of 100 A flows through a cable of 50 mm² cross section (AWG 0) and 10 m length (30 ft), the voltage drop over the cable will be 0,26 Volt. Similarly a current of 50 A through a cable of 10 mm² cross section (AWG 7) and 5 m length (15 ft) will result in a voltage drop of 0,35 Volt!

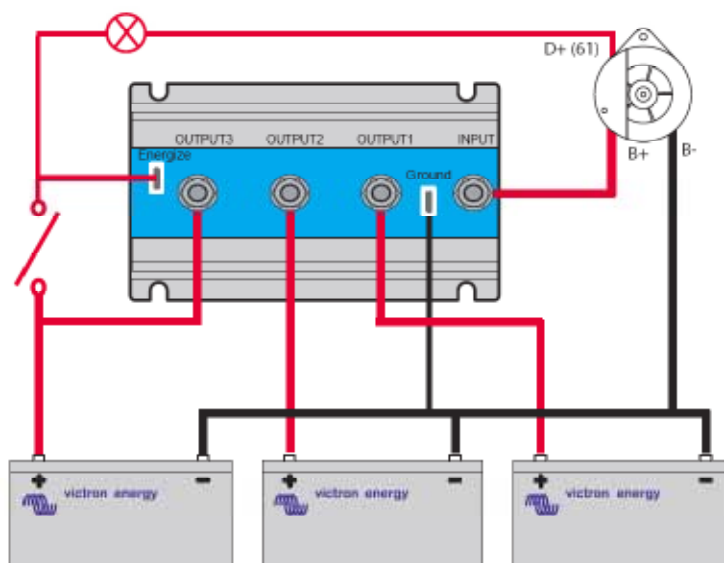
Alternator energize input

Some alternators need DC voltage on the B+ output to start charging. Obviously, DC will be present when the alternator is directly connected to a battery. Inserting a Diode or FET splitter will however prevent any return voltage/current from the batteries to the B+, and the alternator will not start. The new Argofet isolators have a special current limited energize input that will power the B+ when the engine run/stop switch is closed.



**Argo FET 100-3
3bat 100A**

Argo FET Battery Isolator	Argofet 100-2	Argofet 100-3	Argofet 200-2	Argofet 200-3
Maximum charge current (A)	100	100	200	200
Maximum alternator current (A)	100	100	200	200
Number of batteries	2	3	2	3
Connection	M8 bolts	M8 bolts	M8 bolts	M8 bolts
Weight kg (lbs)	1,4 (3.1)	1,4 (3.1)	1,4 (3.1)	1,4 (3.1)
Dimensions h x w x d in mm (h x w x d in inches)	65 x 120 x 200 (2.6 x 4.7 x 7.9)	65 x 120 x 200 (2.6 x 4.7 x 7.9)	65 x 120 x 200 (2.6 x 4.7 x 7.9)	65 x 120 x 200 (2.6 x 4.7 x 7.9)



BLUESOLAR CHARGE CONTROLLERS



BlueSolar 12/24-PWM

Three models: 5A, 10A or 20A at 12V or 24V *

- Low cost PWM controller.
- Internal temperature sensor.
- Three stage battery charging (bulk, absorption, float).
- Protected against over current.
- Protected against short circuit.
- Protected against reverse polarity connection of the solar panels and/or battery.
- With low voltage load disconnect output.
- Optional remote display (20A model only)

BlueSolar 12/24-10



BlueSolar DUO 12/24-20

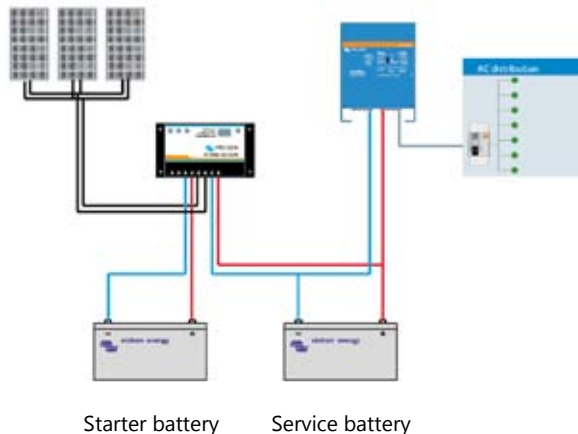
20A at 12V or 24V *

- PWM controller.
- Charges two separate batteries. For example the starter battery and the service battery of a boat or mobile home.
- Programmable charge current ratio (standard setting: equal current to both batteries).
- Charge voltage settings for three battery types (Gel, AGM and Flooded).
- Internal temperature sensor and optional remote temperature sensor.
- Protected against over current.
- Protected against short circuit.
- Protected against reverse polarity connection of the solar panels and/or battery.

BlueSolar DUO 12/24-20



Remote display for BlueSolar 12/24-20

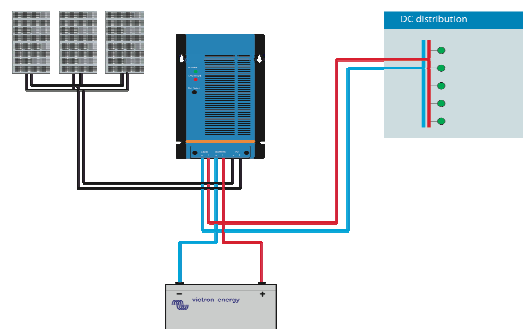


BlueSolar MPPT 12/24-40

BlueSolar MPPT 12/24-40

40A at 12V or 24V *

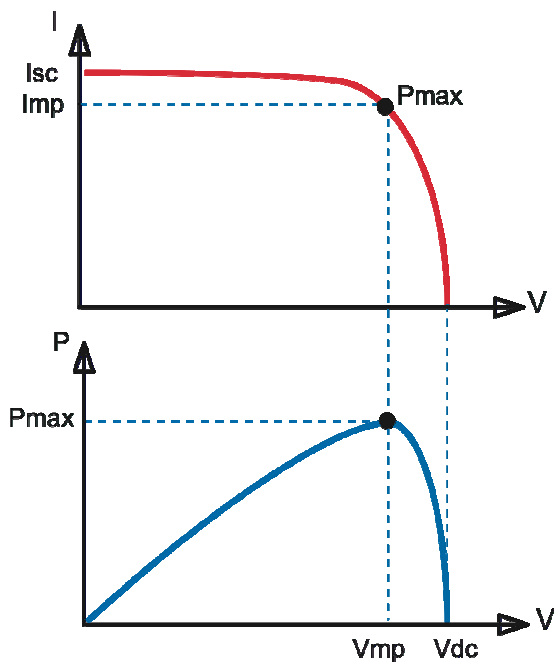
- Maximum Power Point Tracking (MPPT) controller. Increases charge current by up to 30% compared to a PWM controller.
- Charge voltage settings for eight battery types, plus two equalize settings.
- Remote temperature sensor.
- Protected against over current.
- Protected against short circuit.
- Protected against reverse polarity connection of the solar panels and/or battery.
- With low voltage load disconnect output.



BLUESOLAR CHARGE CONTROLLERS

BlueSolar	BlueSolar 12/24-5 BlueSolar 12/24-10 BlueSolar 12/24-20		BlueSolar DUO 12/24-20		BlueSolar MPPT 12/24-40	
	12V	24V	12V	24V	12V	24V
Battery Voltage	12/24V Auto Select (2)		12/24V Auto Select (2)		12/24V Auto Select (2)	
Rated charge current	5/10/20A		20A		40A	
MPPT Tracking	No		No		Yes	
Second battery output	No		Yes		No	
Automatic load disconnect	Yes (maximum load 10/10/20A)		n. a.		Yes (maximum load 15A)	
Maximum solar voltage	28/55V (2)		28/55V (2)		28/55V (2)	
Self-consumption	6mA		4mA		10mA	
Default settings						
Absorption charge (1)	14.4V	28.8V	14.4V	28.8V	14.4V	28.8V
Float charge (1)	13.7V	27.4V	13.7V	27.4V	13.7V	27.4V
Equalization charge	n. a.		n. a.		15.0V	30.0V
Over charge disconnect	n. a.		n. a.		14.8V	29.6V
Over charge recovery	n. a.		n. a.		13.6V	27.2V
Low voltage load disconnect	11.1V	22.2V	n. a.		10.8V	21.6V
Low voltage load reconnect	12,6V	25.2V	n. a.		12.3V	24.6V
Enclosure & Environmental						
Battery temperature sensor	Yes Internal sensor		Yes Internal sensor		Yes Remote sensor	
Temperature compensation	-30mV/°C	-60mV/°C	-30mV/°C	-60mV/°C	-30mV/°C	-60mV/°C
Operating temperature	-35°C to +55°C (full load)		-35°C to +55°C (full load)		0-40°C (full load) 40-60°C (derating)	
Cooling	Natural Convection		Natural Convection		Natural Convection	
Humidity (non condensing)	Max. 95%		Max. 95%		Max. 95%	
Protection class	IP20		IP20		IP20	
Terminal size	6mm ² / AWG10		6mm ² / AWG10		8mm ² / AWG8	
Weight	160/160/180gr		180gr		1400gr	
Dimension (h x w x d)	70x133x34 mm 70x133x34 mm 76x153x37 mm		76x153x37 mm		202x66x140 mm	
Mounting	Vertical wall mount Indoor only		Vertical wall mount Indoor only		Vertical wall mount Indoor only	
Standards						
Safety	EN60335-1					
EMC	EN61000-6-1, EN61000-6-3					

- 1) BlueSolar 12/24-20, DUO 12/24-20 and BlueSolar MPPT 12/24-40: Other settings possible (see manual)
- 2) For 12V use 36 cell Solar panels
For 24V use 72 cell Solar panels



Maximum Power Point Tracking

Upper curve:

Output current (I) of a solar panel as function of output voltage (V).
The maximum power point (MPP) is the point P_{max} along the curve where the product $I \times V$ reaches its peak.

Lower curve:

Output power $P = I \times V$ as function of output voltage.
When using a PWM (not MPPT) controller the output voltage of the solar panel will be nearly equal to the voltage of the battery, and will be lower than V_{MP} .





GEL AND AGM BATTERIES

1. VRLA technology

VRLA stands for Valve Regulated Lead Acid, which means the batteries are sealed. Gas will escape through the safety valves only in case of overcharging or cell failure. VRLA batteries have exceptional leak resistance, and can be used in any position. VRLA batteries are maintenance free for life.



2. Sealed (VRLA) AGM batteries

AGM stands for Absorbent Glass Mat. In these batteries the electrolyte is absorbed into a glass-fibre mat between the plates by capillary action. As explained in our book 'Energy Unlimited', AGM batteries are more suitable for short-time delivery of very high currents (engine starting) than gel batteries.

3. Sealed (VRLA) Gel batteries

Here the electrolyte is immobilized as gel. Gel batteries in general have a longer service life and better cycle capacity than AGM batteries.

4. Low Self-discharge

Because of the use of lead calcium grids and high purity materials, Victron VRLA batteries can be stored during long periods of time without recharge. The rate of self-discharge is less than 2% per month at 20°C. The self discharge doubles for every increase in temperature with 10°C.

Victron VRLA batteries can therefore be stored during up to a year without recharging, if kept under cool conditions.



5. Exceptional Deep Discharge Recovery

Victron VRLA batteries have exceptional discharge recovery, even after deep or prolonged discharge. It should however be stressed that repetitive deep discharge and prolonged discharge have a very negative influence on the service life of all lead acid batteries, Victron batteries are no exception.

6. Battery discharging characteristics

The rated capacity of Victron AGM and Gel Deep Cycle batteries refers to 20 hour discharge, in other words: a discharge current of 0,05 C.

The rated capacity of Victron Tubular Plate Long Life batteries refers to 10 hours discharge.

The effective capacity decreases with increasing discharge current (see table 1). Please note that the capacity reduction will be even faster in case of a constant power load, such as an inverter.

Discharge time (constant current)	End Voltage V	AGM 'Deep Cycle' %	Gel 'Deep Cycle' %	Gel 'Long Life' %
20 hours	10,8	100	100	112
10 hours	10,8	92	87	100
5 hours	10,8	85	80	94
3 hours	10,8	78	73	79
1 hour	9,6	65	61	63
30 min.	9,6	55	51	45
15 min.	9,6	42	38	29
10 min.	9,6	38	34	21
5 min.	9,6	27	24	
5 seconds		8 C	7 C	

Table 1: Effective capacity as a function of discharge time (the lowest row gives the maximum allowable 5 seconds discharge current)

Our AGM deep cycle batteries have excellent high current performance and are therefore recommended for high current applications such as engine starting. Due to their construction, Gel batteries have a lower effective capacity at high discharge currents. On the other hand, Gel batteries have a longer service life, both under float and cycling conditions.

7. Effect of temperature on service life

High temperature has a very negative effect on service life. The service life of Victron batteries as a function of temperature is shown in table 2.

Average Temperature	AGM Deep Cycle years	Gel Deep Cycle years	Gel Long Life years
20°C / 68°F	7 - 10	12	20
30°C / 86°F	4	6	10
40°C / 104°F	2	3	5

Table 2: Design service life of Victron batteries under float service



GEL AND AGM BATTERIES

8. Effect of temperature on capacity

As is shown by the graph below, capacity reduces sharply at low temperatures.

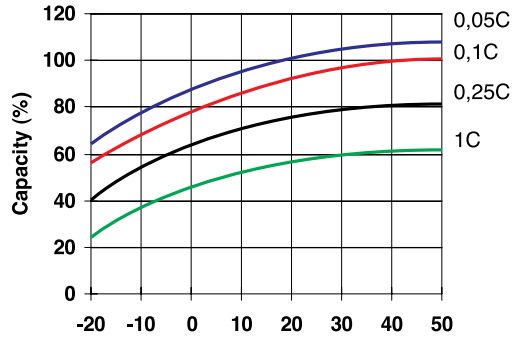


Fig. 1: Effect of temperature on capacity

9. Cycle life of Victron batteries

Batteries age due to discharging and recharging. The number of cycles depends on the depth of discharge, as is shown in figure 2.

■ AGM Deep Cycle ■ Gel Deep cycle ■ Gel long life

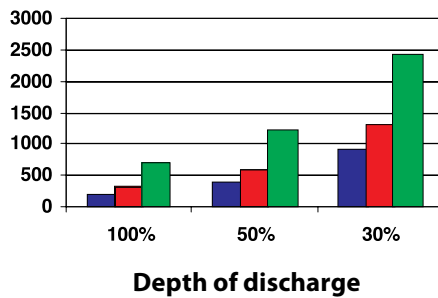


Fig. 2: Cycle life

10. Battery charging in case of cycle use: the 3-step charge characteristic

The most common charge curve used to charge VRLA batteries in case of cyclic use is the 3-step charge characteristic, whereby a constant current phase (the bulk phase) is followed by two constant voltage phases (absorption and float), see fig. 3.

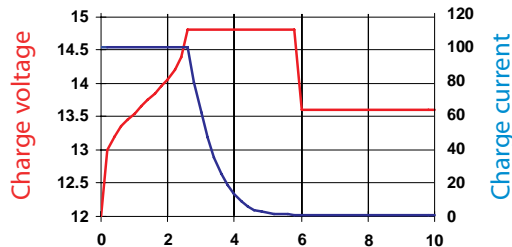


Fig. 3: Three step charge curve

During the absorption phase the charge voltage is kept at a relatively high level in order to fully recharge the battery within reasonable time. The third and last phase is the float phase: the voltage is lowered to standby level, sufficient to compensate for self discharge.

GEL AND AGM BATTERIES

Disadvantages of the traditional 3-step charge characteristic:

- During the bulk phase the current is kept at a constant and often high level, even after the gassing voltage (14,34 V for a 12 V battery) has been exceeded. This can lead to excessive gas pressure in the battery. Some gas will escape through the safety valves, reducing service life.
- Thereafter the absorption voltage is applied during a fixed period of time, irrespective of how deep the battery has been discharged previously. A full absorption period after a shallow discharge will overcharge the battery, again reducing service life. (a. o. due to accelerated corrosion of the positive plates)
- Research has shown that battery life can be increased by decreasing float voltage to an even lower level when the battery is not in use.

11. Battery charging: longer battery life with Victron 4-step adaptive charging

Victron developed the adaptive charge characteristic. The 4-step adaptive charge curve is the result of years of research and testing.

The Victron adaptive charge curve solves the 3 main problems of the 3 step curve:

- **Battery Safe mode**
In order to prevent excessive gassing, Victron has invented the 'Battery Safe Mode'. The battery Safe Mode will limit the rate of voltage increase once the gassing voltage has been reached. Research has shown that this will reduce internal gassing to a safe level.
- **Variable absorption time**
Based on the duration of the bulk stage, the charger calculates how long the absorption time should be in order to fully charge the battery. If the bulk time is short, this means the battery was already charged and the resulting absorption time will also be short, whereas a longer bulk time will also result in a longer absorption time.
- **Storage mode**
After completion of the absorption period the battery should be fully charged, and the voltage is lowered to the float or standby level. If no discharge occurs during the next 24 hours, the voltage is reduced even further and the battery goes into storage mode. The lower storage voltage reduces corrosion of the positive plates.
Once every week the charge voltage is increased to the absorption level for a short period to compensate for self discharge (Battery Refresh mode).

12. Battery charging in case of standby use: constant voltage float charging

When a battery is not frequently deeply discharged, a 2-step charge curve can be used. During the first phase the battery is charged with a limited current (the bulk phase). Once a preset voltage has been reached the battery is kept at that voltage (the float phase).

This charge method is used for starter batteries in vehicles, and in uninterruptible power supplies (UPS).

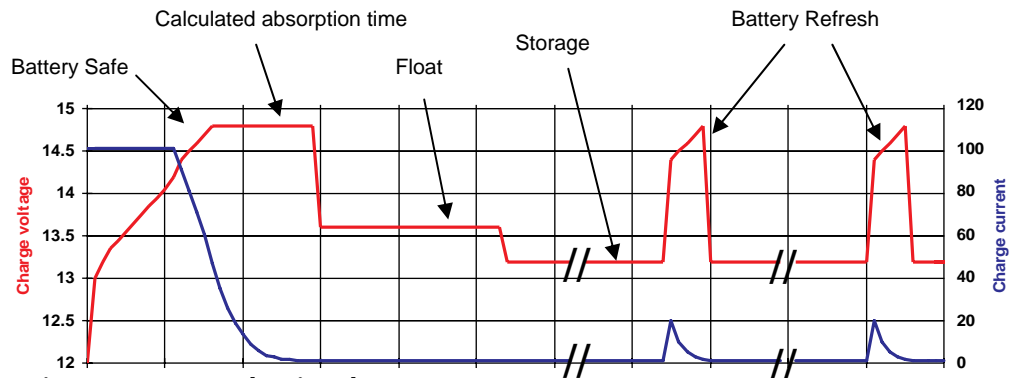


Fig. 4: Four-step adaptive charge curve

13. Optimum charge voltage of Victron VRLA batteries

The recommended charge voltage settings for a 12 V battery are shown in table 3.

14. Effect of temperature on charging voltage

The charge voltage should be reduced with increased temperature. Temperature compensation is required when the temperature of the battery is expected to be less than 10°C / 50°F or more than 30°C / 85°F during long periods of time. The recommended temperature compensation for Victron VRLA batteries is -4 mV / Cell (-24 mV / °C for a 12 V battery). The centre point for temperature compensation is 20°C / 70°F.

GEL AND AGM BATTERIES

15. Charge current

The charge current should preferably not exceed 0,2 C (20 A for a 100 Ah battery). The temperature of a battery will increase by more than 10°C if the charge current exceeds 0,2 C. Therefore temperature compensation is required if the charge current exceeds 0,2 C

	Float service	Cycle service Normal	Cycle service Fastest recharge
Victron AGM "Deep Cycle"			
Absorbtion		14,2 - 14,6	14,6 - 14,9
Float	13,5 - 13,8	13,5 - 13,8	13,5 - 13,8
Storage	13,2 - 13,5	13,2 - 13,5	13,2 - 13,5
Victron Gel "Deep Cycle"			
Absorbtion		14,1 - 14,4	
Float	13,5 - 13,8	13,5 - 13,8	
Storage	13,2 - 13,5	13,2 - 13,5	
Victron Gel "Long Life"			
Absorbtion		14,0 - 14,2	
Float	13,5 - 13,8	13,5 - 13,8	
Storage	13,2 - 13,5	13,2 - 13,5	

Table 3: Recommended charge voltage

12 Volt Deep Cycle AGM							General Specification
Article number	Ah	V	l x w x h mm	Weight kg	CCA @0°F	RES CAP @80°F	Technology: flat plate AGM Terminals: copper
BAT406225080	240	6	320x176x247	31	1500	480	Rated capacity: 20 hr discharge at 25°C Float design life: 7-10 years at 20°C Cycle design life: 200 cycles at 100% discharge* 400 cycles at 50% discharge 900 cycles at 30% discharge
BAT212070080	8	12	151x65x101	2,5			
BAT212120080	14	12	151x98x101	4,1			
BAT212200080	22	12	181x77x167	5,8			
BAT412350080	38	12	197x165x170	12,5			
BAT412550080	60	12	229x138x227	20	450	90	
BAT412600080	66	12	258x166x235	24	520	100	
BAT412800080	90	12	350x167x183	27	600	145	
BAT412101080	110	12	330x171x220	32	800	190	
BAT412121080	130	12	410x176x227	38	1000	230	
BAT412151080	165	12	485x172x240	47	1200	320	
BAT412201080	220	12	522x238x240	65	1400	440	

12 Volt Deep Cycle GEL							General Specification
Article number	Ah	V	l x w x h mm	Weight kg	CCA @0°F	RES CAP @80°F	Technology: flat plate GEL Terminals: copper
BAT412550100	60	12	229x138x227	20	300	80	Rated capacity: 20 hr discharge at 25°C Float design life: 12 years at 20°C Cycle design life: 300 cycles at 100% discharge* 600 cycles at 50% discharge 1300 cycles at 30% discharge
BAT412600100	66	12	258x166x235	24	360	90	
BAT412800100	90	12	350x167x183	26	420	130	
BAT412101100	110	12	330x171x220	33	550	180	
BAT412121100	130	12	410x176x227	38	700	230	
BAT412151100	165	12	485x172x240	48	850	320	
BAT412201100	220	12	522x238x240	66	1100	440	

2 Volt Long Life GEL					General Specification
Article number	Ah	V	l x b x h mm	Weight kg	Technology: tubular plate GEL Terminals: copper
BAT702601260	600	2	149x208x710	48	Rated capacity: 10 hr discharge at 25°C Float design life: 20 years at 20°C Cycle design life: 1200 cycles at 100% discharge* 1200 cycles at 50% discharge 2400 cycles at 30% discharge
BAT702801260	800	2	215x193x710	68	
BAT702102260	1000	2	215x235x710	82	
BAT702122260	1200	2	215x277x710	94	
BAT702152260	1500	2	215x277x855	120	
BAT702202260	2000	2	215x400x815	160	
BAT702252260	2500	2	215x490x815	200	
BAT702302260	3000	2	215x580x815	240	

Other capacities and terminal types: at request

* End of discharge voltage: 10,8 V for a 12 V battery

BLUESOLAR MONOCRYSTALLINE PANELS



BlueSolar Monocrystalline 280W

- Low voltage-temperature coefficient enhances high-temperature operation.
- Exceptional low-light performance and high sensitivity to light across the entire solar spectrum.
- 25-year limited warranty on power output and performance.
- 2-year Limited warranty on materials and workmanship.
- Sealed, waterproof, multi-functional junction box gives high level of safety.
- High performance bypass diodes minimize the power drop caused by shade.
- Advanced EVA (Ethylene Vinyl Acetate) encapsulation system with triple-layer back sheet meets the most stringent safety requirements for high-voltage operation.
- A sturdy, anodized aluminum frame allows modules to be easily roof-mounted with a variety of standard mounting systems.
- Highest quality, high-transmission tempered glass provides enhanced stiffness and impact resistance.
- Pre wired quick-connect system with MC4 (PV-ST01) connectors.
(Except for the 30W panel)



MC4 connectors

Type	Module Size	Glass size	Weight	Electrical data under STC ⁽¹⁾				
				Nominal Power	Max-Power Voltage	Max-Power Current	Open-Circuit Voltage	Short-circuit Current
				P _{MPP}	V _{MPP}	I _{MPP}	V _{oc}	I _{sc}
Module	mm	mm	Kg	W	V	A	V	A
SPM30-12	450 x 540 x 25	445 x 535	2.5	30	18	1.67	22.5	2
SPM50-12	760 x 540 x 35	755 x 535	5.5	50	18	2.78	22.2	3.16
SPM80-12	1110 x 540 x 35	1105 x 535	8.2	80	18	4.58	22.25	4.98
SPM100-12	963 x 805 x 35	958 x 800	10.5	100	18	5.56	22.4	6.53
SPM130-12	1220 x 808 x 35	1214 x 802	13	130	18	7.23	21.6	7.94
SPM180-24	1580 x 808 x 35	1574 x 802	14.5	180	36	5.01	44.9	5.50
SPM280-24	1956 x 992 x 50	1950 x 986	20	280	36	7.89	44.25	8.76
Summary Table								
Module	SPM30-12	SPM50-12	SPM80-12	SPM100-12	SPM130-12	SPM180-24	SPM280-24	
Nominal Power (±3% tolerance)	30W	50W	80W	100W	130W	180W	280W	
Cell type	Monocrystalline							
Number of cells in series	36					72		
Maximum system voltage (V)	1000V							
Temperature coefficient of P _{MPP} (%)	-0.48/°C	-0.48/°C	-0.48/°C	-0.48/°C	-0.48/°C	-0.48/°C	-0.48/°C	-0.48/°C
Temperature coefficient of V _{oc} (%)	-0.34/°C	-0.34/°C	-0.34/°C	-0.34/°C	-0.34/°C	-0.34/°C	-0.34/°C	-0.34/°C
Temperature coefficient of I _{sc} (%)	+0.037/°C	+0.037/°C	+0.037/°C	+0.037/°C	+0.037/°C	+0.05/°C	+0.037/°C	+0.037/°C
Temperature Range	-40°C to +80°C							
Surface Maximum Load Capacity	200kg/m ²							
Allowable Hail Load	23m/s, 7.53g							
Junction Box Type	PV-JH03-2	PV-JH02	PV-JH02	PV-JH02	PV-RH0301	PV-JH03	PV-JH200	
Connector Type	No connector	MC4	MC4	MC4	MC4	MC4	MC4	
Length of Cables	450mm	750mm	900mm	900mm	900mm	900mm	1000mm	
Output tolerance	+/-3%							
Frame	Aluminium							
Product warranty	2 years							
Warranty on electrical performance	10 years 90% + 25 years 80% of power output							
Smallest packaging unit	1 panel							
Quantity per pallet	40 panels	40 panels	20 panels	20 panels	20 panels	20 panels	20 panels	

¹⁾ STC (Standard Test Conditions): 1000W/m², 25°C, AM (Air Mass) 1.5

BLUESOLAR POLYCRYSTALLINE PANELS



BlueSolar Polycrystalline 130W

- Low voltage-temperature coefficient enhances high-temperature operation.
- Exceptional low-light performance and high sensitivity to light across the entire solar spectrum.
- 25-year limited warranty on power output and performance.
- 2-year Limited warranty on materials and workmanship.
- Sealed, waterproof, multi-functional junction box gives high level of safety.
- High performance bypass diodes minimize the power drop caused by shade.
- Advanced EVA (Ethylene Vinyl Acetate) encapsulation system with triple-layer back sheet meets the most stringent safety requirements for high-voltage operation.
- A sturdy, anodized aluminum frame allows modules to be easily roof-mounted with a variety of standard mounting systems.
- Highest quality, high-transmission tempered glass provides enhanced stiffness and impact resistance.
- Pre wired quick-connect system with MC4 (PV-ST01) connectors.



MC4 connectors

Type	Module Size	Glass size	Weight	Electrical data under STC ⁽¹⁾					
				Nominal Power	Max-Power Voltage	Max-Power Current	Open-Circuit Voltage	Short-circuit Current	
				PMPP	VMPP	IMPP	Voc	Isc	
Module	mm	mm	Kg	W	V	A	V	A	
SPP30-12	735x350x25	730x345	3.5	30	18	1.66	21.6	1.83	
SPP50-12	778x679x35	772x672	6.5	50	18	2.78	21.6	3.05	
SPP80-12	950x670x35	945x665	8.2	80	18	4.58	22.25	4.98	
SPP100-12	1150x670x35	1145x665	11.8	100	18	5.72	22.36	6.12	
SPP130-24	1482x676x50	1476x670	13	130	18	7.23	21.6	7.94	
SPP280-24	1956x992x50	1950x986	24	280	36	7.89	44.25	8.76	
Module	SPP30-12	SPP50-12	SPP80-12	SPP100-12	SPP130-12	SPP280-24			
Nominal Power (±3% tolerance)	30W	50W	80W	100W	130W	280W			
Cell type	Polycrystalline								
Number of cells in series	36						72		
Maximum system voltage (V)	1000V								
Temperature coefficient of PMPP (%)	-0.47/°C	-0.47/°C	-0.47/°C	-0.47/°C	-0.47/°C	-0.47/°C	-0.47/°C		
Temperature coefficient of Voc (%)	-0.35/°C	-0.35/°C	-0.34/°C	-0.34/°C	-0.35/°C	-0.35/°C	-0.35/°C		
Temperature coefficient of Isc (%)	+0.05/°C	+0.05/°C	+0.045/°C	+0.045/°C	+0.05/°C	+0.05/°C	+0.045/°C		
Temperature Range	-40°C to +80°C								
Surface Maximum Load Capacity	200kg/m ²								
Allowable Hail Load	23m/s, 7.53g								
Junction Box Type	PV-JH03-2	PV-RH0301	PV-JH02	PV-JH02	PV-RH0301	PV-JH200			
Connector Type	No connector	MC4							
Length of Cables	450mm	900mm					1000mm		
Output tolerance	+/-3%								
Frame	Aluminium								
Product warranty	2 years								
Warranty on electrical performance	10 years 90% + 25 years 80% of power output								
Smallest packaging unit	1 panel								
Quantity per pallet	40 panels	40 panels	20 panels	20 panels	20 panels	20 panels	20 panels		

¹⁾ STC (Standard Test Conditions): 1000W/m², 25°C, AM (Air Mass) 1.5

ACCESSORIES



FILAX Transfer switch

- Filax: the ultra fast transfer switch
The Filax has been designed to switch sensitive loads, such as computers or modern entertainment equipment from one AC source to another. The priority source typically is the mains, a generator or shore power. The alternate source typically is an inverter.

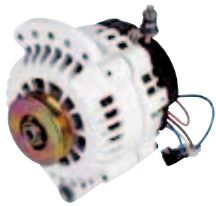
Transfer switches 5kVA and 10kVA

- The Transfer Switch is an automatic switching device between two different AC sources. Between generator and the grid, between an inverter and the grid or between the generator and an inverter.



BatteryProtect (Models: BP-40i, BP-60i, BP-200i)

- The BatteryProtect disconnects the battery from non-essential loads before it is completely discharged (which would damage the battery) or before it has insufficient power left to crank the engine.



Alternators, charge regulators and more

- Superior solutions for charging large banks with one or more alternators.
- Compact and fully isolated high output alternators.
- Unsurpassed installation flexibility.
- 'Smart ready' internal regulation (6-series only): the internal constant-voltage regulator does not need to be removed when connecting an intelligent external regulator. The internal regulator remains available as a backup if ever the external regulator were to fail.
- The intelligent regulators are completely encapsulated: waterproof, shockproof and ignition protected.
- Parallel operation of 2 alternators possible with the 'Centerfielder' module.



Shore power cable

- Waterproof Shore Power Cable and Inlet IP67
- Moulded Plug and Connector
- Power indication LED
- Protection Cap
- Stainless Steel Inlet



ESP system panel

- The new ESP panel system provides a contemporary designed range of panels that cover the core engineering systems. The main system panel is the heart of the range. This provides AC and DC monitoring, Multi control and backlight control. Additional panels include AC and DC circuit breaker panels, a general control panel, a VE Net panel.

ACCESSORIES

Our solar systems are comprised of various components. Some of which are specifically designed for solar systems. Other Victron components are applicable for a wide range of applications. You are able to find the specifications and other detailed information about these components in the 'Technical Information' section starting on page 15.



Battery Monitor

Key tasks of the Victron Battery Monitor are measuring charge and discharge currents as well as calculating the state-of-charge and time-to-go of a battery. An alarm is sent when certain limits are exceeded (such as an excessive discharge). It is also possible for the battery monitor to exchange data with the Victron Global Remote. This includes sending alarms.



Victron Global Remote

Monitoring from a large distance is possible with the Victron Global Remote. The Global Remote is a modem which sends text messages to mobile phones. These messages contain information about the status of a system as well as warnings and alarms. The Global Remote also logs various types of data coming from Victron Battery Monitors, Multi's, Quattro's and Inverters. Consequently this data is sent to a website via a GPRS-connection. This enables you to access the read-outs remotely, where en whenever you like.



Ethernet Remote

The Ethernet Remote is similar to the Global Remote. The difference is that the Ethernet Remote has a LAN-connection. A special cable can be used to connect the Ethernet Remote directly to an existing internet connection.



Digital Multi Control Panel

With this panel you are able to remotely monitor and control Multiplus and Quattro systems. A simple turn of the button can limit the power supply of for example a generator and/or shore-side current. The setting range is up to 200A.



Blue Power Panel

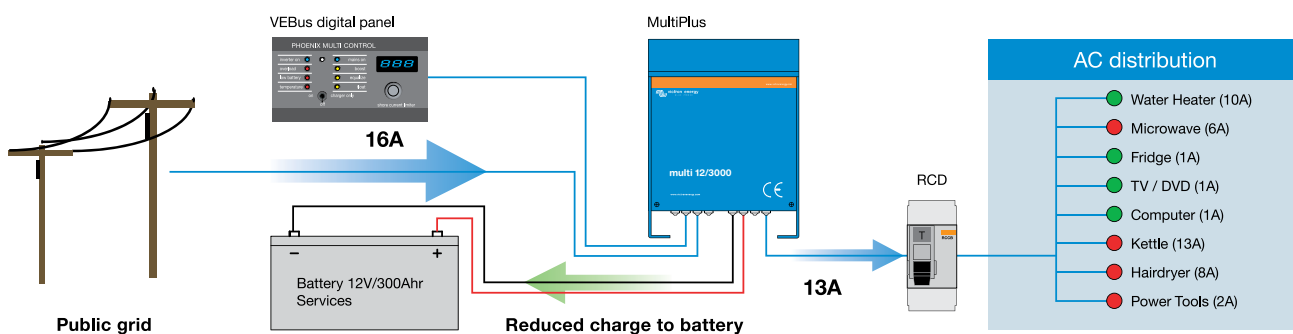
It can be difficult to maintain a clear overview of your system as it grows larger. This is however not the case with a Blue Power Panel. Thanks to its clear display and intuitive control it enables you to easily monitor and control all devices connected to VE.Net and VE.Bus. Examples are Multi's, Quattro's and the VE.Net Battery Controller, which keeps track of the status of your battery bank.

INVERTER/CHARGER SYSTEM WITH INTELLIGENT SHORE AND GENERATOR POWER MANAGEMENT

PowerControl: Dealing with limited generator or grid power All models in the MultiPlus range feature powerful battery chargers. When the largest model is working hard it can draw almost 10A from a 230V supply. Using the remote panel it is possible to 'dial-in' the maximum current that is available from mains or generator. The MultiPlus will then automatically regulate the charger taking account of other system AC loads and ensuring the charger only uses what is spare. This way it is possible to avoid tripping the mains power or overloading the generator.

POWER CONTROL ©

Battery charger reduces its output, if required, to avoid overload of supply when system consumption is high.

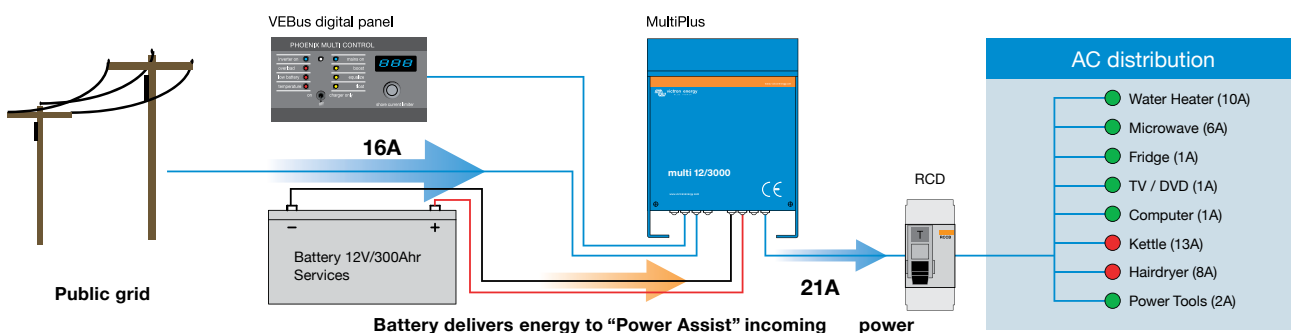


PowerAssist: Boosting the power available from mains or generator, an innovative feature of MultiPlus. The feature that most distinguishes the MultiPlus from other inverter / chargers is PowerAssist. This feature takes the principle of PowerControl to a further dimension by allowing a MultiPlus to supplement the power available from mains or generator to 'assist' during periods of high demand. Peak power demand is almost always sustained only for short periods, either a few minutes (in the case of items like cooking appliances) or just a few seconds (in the case of the burst of energy needed to start an air-conditioning or refrigeration compressor).

With the capacity of the generator or mains power set on the remote panel, the MultiPlus detects when the load is becoming too much for the supply and will instantly provide the extra power required. When the demand has reduced, the unit returns to charging the battery. This feature is equally effective in large and small systems helping to reduce the required generator capacity or to achieve greater things with limited mains power. There is even a special feature to enable the MultiPlus/Quattro to work perfectly with portable generators.

POWER ASSIST ©

Inverter boosts incoming power, if required, to avoid overload of supply when system consumption exceeds supply.



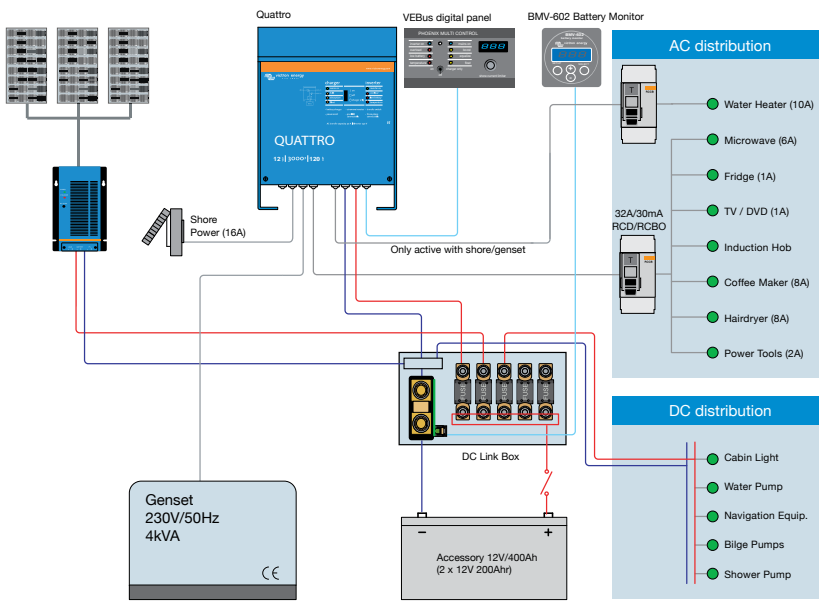
COMFORT SYSTEM

COMFORT PLUS SYSTEM

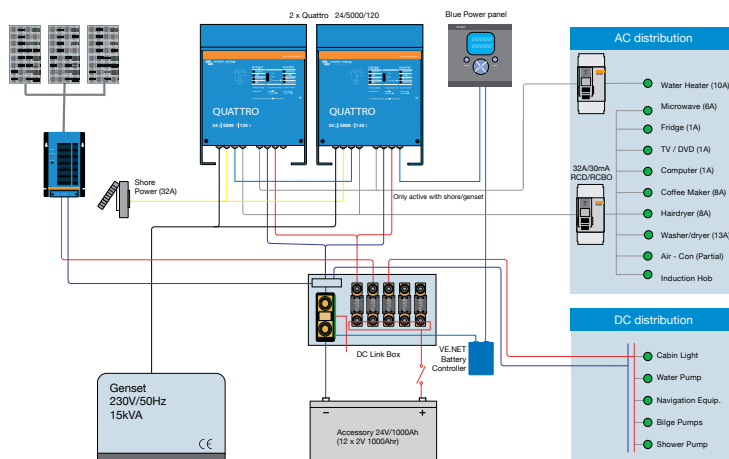
Appliance	System
Lighting	Quattro 12/3000/120
Communication & navigation	BMV602-S battery monitor
Water heater	2x12V/200AH and 1X80AH batteries
Microwave oven	Digital control remote panel
2 ring induction hob	Alternator 12/150
Coffee machine/Kettle	DC Link Box
TV/DVD	Isolation transformer
Laptop	Cyrix battery separator
Small chargers (mobile phone, electric shaver)	
Refrigerator and freezer	Solarpanel and MPTT Solar charger

Appliance	System
Lighting	2 xQuattro 24/5000/120
Communication & navigation	VE-NET Battery controller
Water heater	4x12V/200AH and 1X80AH batteries
Electric gallery with 4 ring induction hob, microwave/combi oven, refrigerator, freezer, washer/dryer.	Blue Power panel
Coffee machine and kettle	Alternator 12/150
TV/DVD	DC Link box
Multimedia PC	Isolation transformers
Small chargers (mobile, phone, shaver etc)	
Modest air-conditioning	Solarpanel and MPTT Solar charger

COMFORT SYSTEM - 7 KVA (30A) CAPACITY



COMFORT PLUS SYSTEM - 25 KVA CAPACITY



ABOUT VICTRON ENERGY

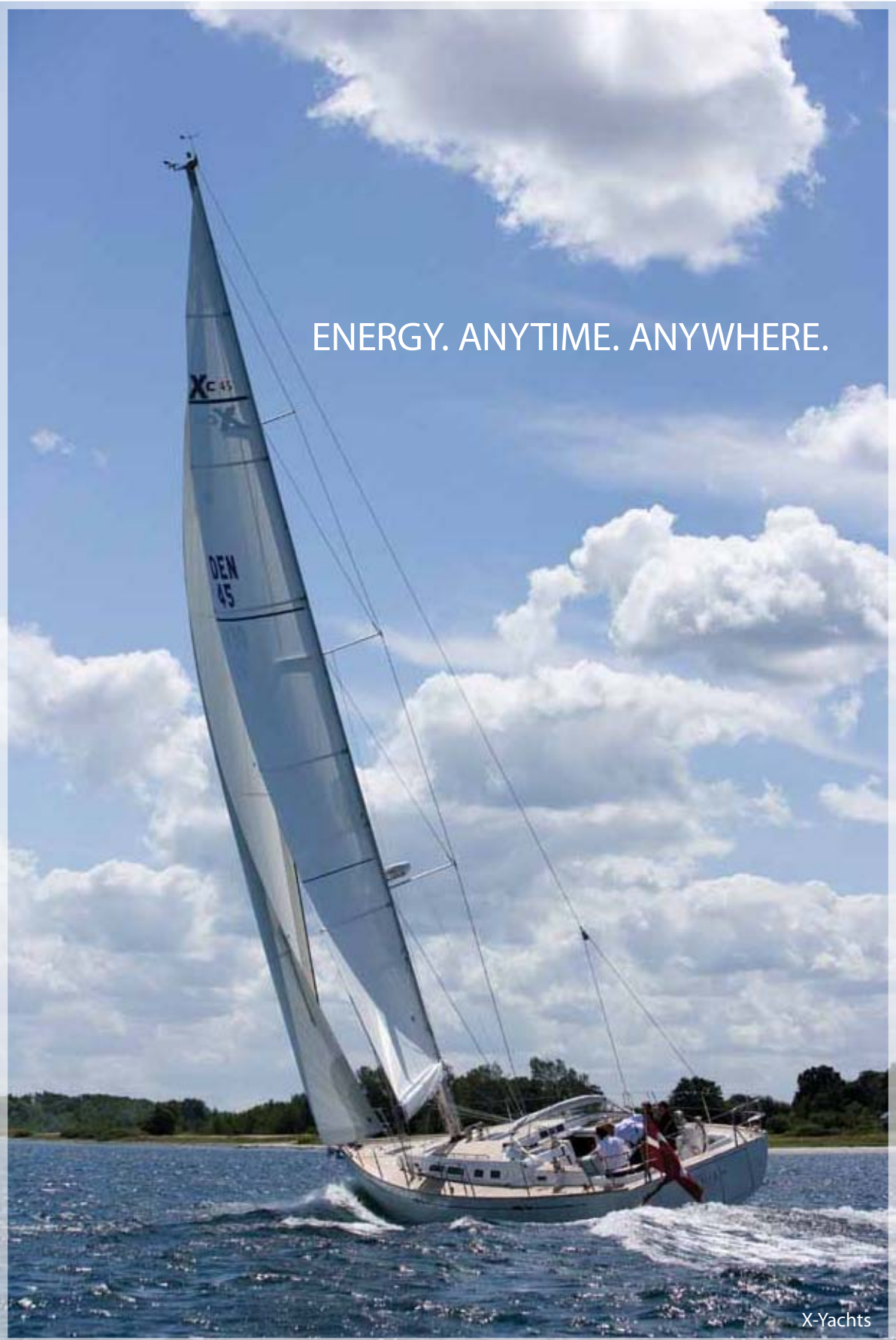
With over 35 years of experience, Victron Energy enjoys an unrivalled reputation for technical innovation, reliability and quality. Victron is a world leader in the supply of self-supporting electrical power. Our products have been designed to meet the most demanding situations faced by a diversity of craft, recreational and commercial alike. Victron's ability to meet the demand for customized off-grid systems is unprecedented. Our product range includes sine wave inverters and inverter/chargers, battery chargers, DC/DC converters, transfer switches, gel and AGM batteries, alternators, battery monitors, solar charge regulators, solar panels, complete network solutions and many other innovative solutions.

World-wide service and support

Having served the off-grid, industrial and vehicle markets as well as both the commercial and leisure marine sectors for over 35 years, Victron has an established network of dealers and distributors covering the whole world. Our customer base is such that providing prompt and competent local service is essential.

This is reflected in the capabilities of our support network. Our flexible approach to service support and our commitment to quick turnaround for repairs is marketleading. There are countless examples of Victron products that have provided for decades of reliable service in the most demanding applications. This level of reliability combined with the highest level of technical know-how results in Victron Energy power systems that offer the very best value available.





ENERGY. ANYTIME. ANYWHERE.

X-Yachts



Victron Energy B.V. / De Paal 35
1351 JG Almere / The Netherlands
Phone: +31 (0)36 535 97 00 Fax: +31 (0)36 535 97 40
e-mail: sales@victronenergy.com
www.victronenergy.com

SAL064136020
REV 01
2011-09